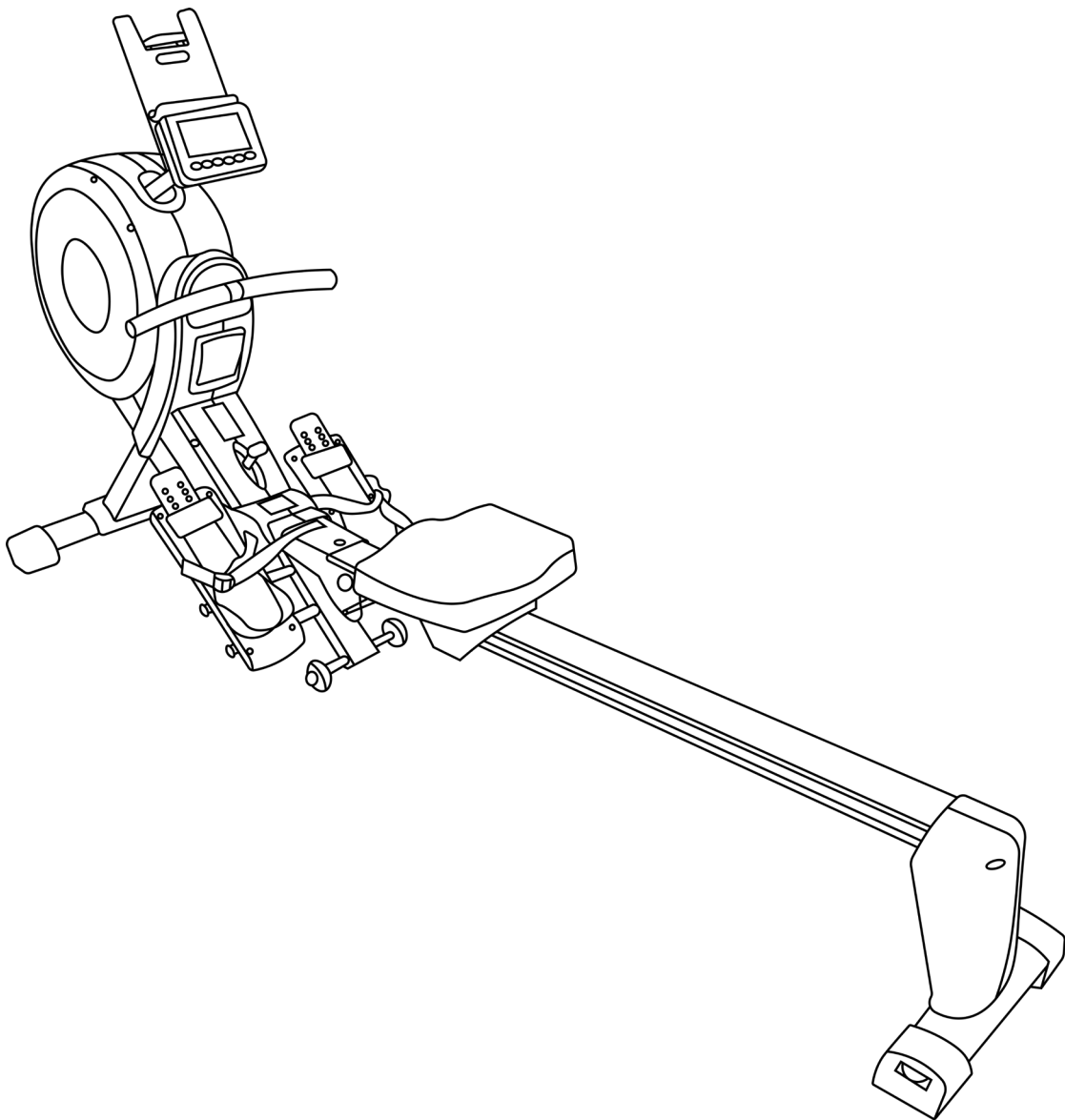


VENTUS 2 AIR ROWER

INSTRUCTION MANUAL



ENGLISH USER MANUAL

ASSEMBLY INSTRUCTIONS AND TECHNICAL SUPPORT

1. Scan the QR Code
2. Follow the link to either our YouTube channel or our downloads page.
3. Safely assembly your machine



FOLLOW US ON SOCIAL MEDIA!

Get the latest product information, training content and more.



CONTENTS



| | |
|-----------------------|---|
| Exploded diagram..... | 5 |
| Parts list..... | 6 |

1. SAFETY INSTRUCTIONS

| | |
|-----------------------------------|---|
| Important safety information..... | 7 |
| User safety precautions..... | 8 |
| Prior to use..... | 8 |
| During use..... | 8 |
| Exercise safety precautions..... | 8 |
| Facility safety precautions..... | 8 |
| Warning stickers..... | 9 |

2. ASSEMBLY

| | |
|---|----|
| Preparing the site..... | 10 |
| Diagram..... | 10 |
| Content listing..... | 11 |
| Box contents..... | 11 |
| Tools pack..... | 12 |
| Ventus 2 assembly..... | 13 |
| Folding & unfolding the rowing machine..... | 15 |
| Adjusting the pedals..... | 15 |
| Moving the machine..... | 15 |
| Adjusting the resistance..... | 15 |
| Monitor Configuration..... | 16 |
| Monitor Specifications..... | 16 |
| Specifications..... | 17 |

3. OPERATION

| | |
|----------------------------------|----|
| Operation procedures..... | 18 |
| Manual..... | 18 |
| Race..... | 18 |
| Recovery..... | 19 |
| Functions..... | 19 |
| Testing the rower operation..... | 19 |

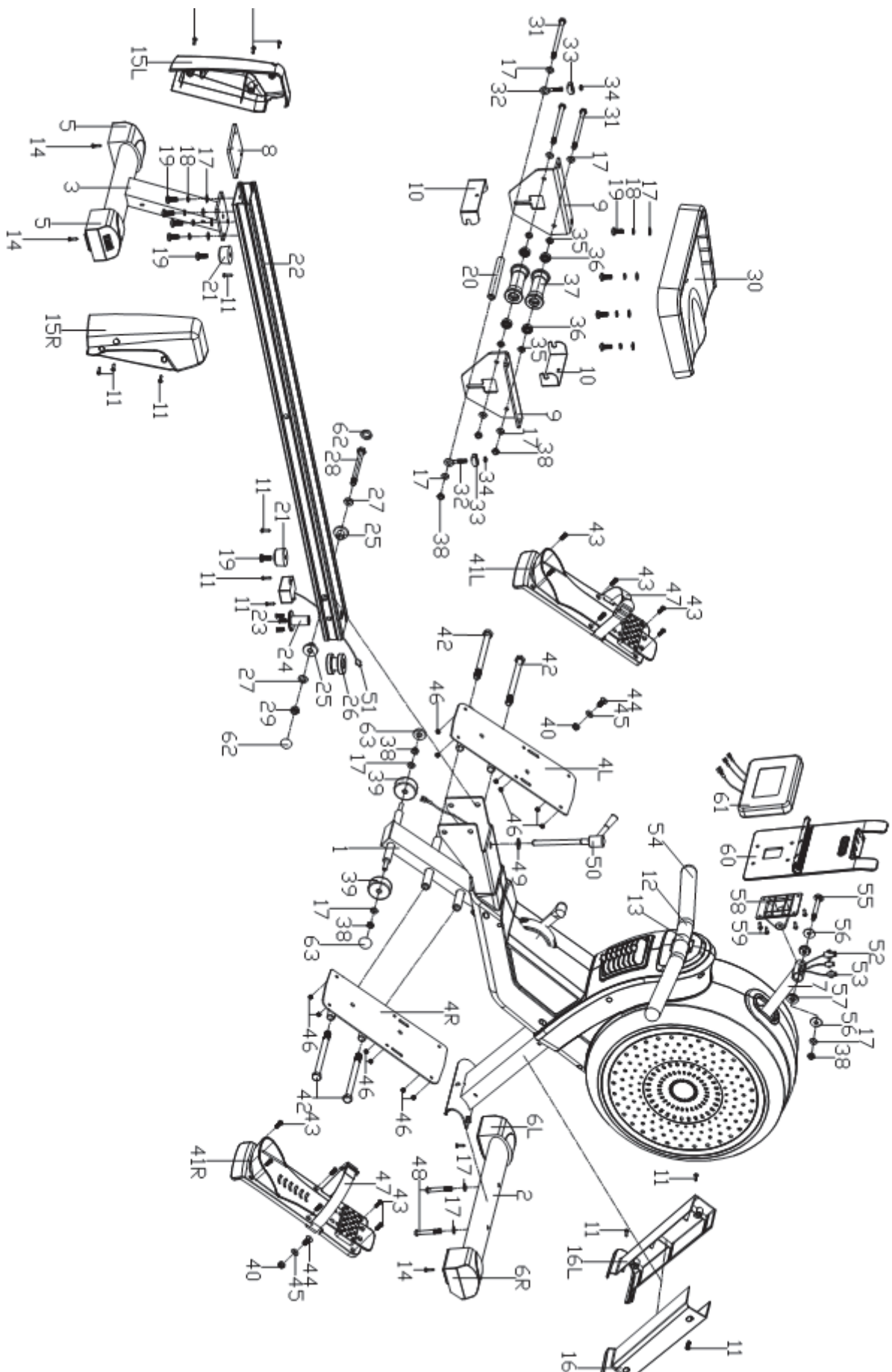
4. MAINTENANCE

| | |
|--|----|
| Preventive maintenance activities | 20 |
| Rower cleaning | 21 |
| 3 easy steps to clean your rower..... | 21 |

5. ADDITIONAL INFORMATION

| | |
|----------------------------------|----|
| Contact information | 22 |
| Disclaimer | 22 |

EXPLODED DIAGRAM



PARTS LIST

| NO. | Description | QTY | NO. | Description | QTY |
|-------|--------------------------|------|-------|----------------------------|------|
| 1 | Main frame | 1 | 33 | Adjustable U-shaped washer | 2 |
| 2 | Front bottom tube | 1 | 34 | Nylon nut M6 | 2 |
| 3 | Rear bottom tube | 1 | 35 | Roller wheel spacer | 4 |
| 4 L/R | Pedal | 1 pr | 36 | Bearing | 4 |
| 5 | Rear bottom tube end cap | 2 | 37 | Railway roller wheel | 2 |
| 6 L/R | Front end cap | 1 pr | 38 | Nylon nut M8 | 6 |
| 7 | Console bracket | 1 | 39 | Roller wheel | 2 |
| 8 | Nut plate | 1 | 40 | Nylon nut M8 | 2 |
| 9 | Support board | 2 | 41L/R | L/R pedal | 1 pr |
| 10 | U-shaped board | 2 | 42 | Outer hex bolt M12x160 | 4 |
| 11 | Cross screw ST4.2x18 | 14 | 43 | Cross pan screw M5x15 | 12 |
| 12 | Handlebar | 1 | 44 | Inner hex screw M8x20 | 2 |
| 13 | Belt | 1 | 45 | Flat washer D8x1.5 | 2 |
| 14 | Cross screw ST4.2x16 | 4 | 46 | Nylon nut M5 | 12 |
| 15L/R | Rear protective cover | 1 pr | 47 | Pedal strap | 2 |
| 16L/R | Front protective cover | 1 pr | 48 | Inner hex screw M8x55 | 2 |
| 17 | Flat washer D8x1.5 | 19 | 49 | Flat washer D12x24x2 | 1 |
| 18 | Spring washer D8 | 8 | 50 | Pop pin knob | 1 |
| 19 | Inner hex screw M8x20 | 10 | 51 | Pulse wire | 1 |
| 20 | Spacer | 1 | 52 | Connection wire | 1 |
| 21 | Rubber cushion | 2 | 53 | Sensor wire | 2 |
| 22 | Railway | 1 | 54 | Foam grip | 2 |
| 23 | Cross pan screw M5x15 | 3 | 55 | Carriage bolt M8x74 | 1 |
| 24 | Locating column | 1 | 56 | Rubber cushion 1 | 2 |
| 25 | Railway isolating bar | 2 | 57 | Alloy bushing | 2 |
| 26 | Strength column | 1 | 58 | Fixed seat | 1 |
| 27 | Flat washer D10x20x2 | 2 | 59 | Cross pan screw | 4 |
| 28 | Outer hex bolt M10x112 | 1 | 60 | Ipad holder bracket | 1 |
| 29 | Nylon nut M10 | 1 | 61 | Console | 1 |
| 30 | Seat | 1 | 62 | End cap 1 | 2 |
| 31 | Outer hex bolt M8x125 | 3 | 63 | End cap 2 | 2 |
| 32 | Adjustable chain bolt | 2 | | | |

1 SAFETY INSTRUCTIONS

Please pay attention to the following instructions before operating this rowing machine.

IMPORTANT SAFETY INFORMATION

Thank you for choosing our product. To ensure your health and safety, please use this equipment as advised. It is important to read this entire manual before assembling and using the equipment. Safe and effective use can only be achieved if the equipment is assembled, maintained and used in accordance to the manual. It is your responsibility to ensure that all users of the equipment are informed of all warnings and precautions.

1. Before starting any exercise program, you should consult a health professional to determine if you have any medical or physical conditions that could put your health and safety at risk or prevent you from using the equipment properly. A health professional's advice is essential if you are taking medication that affects your heart rate, blood pressure or cholesterol level.
2. Be aware of your body's signals. Incorrect or excessive exercise can damage your health. Stop exercising if you experience any of the following symptoms: pain, tightness in your chest, irregular heartbeat, light-headedness, dizziness or feelings of nausea. If you do experience any of these conditions, you should consult a health professional before continuing with your exercise program.
3. Keep children and pets away from the equipment. The equipment is designed for adult use only.
4. Use the equipment on a solid, flat level surface with a protective cover for your floor or carpet. To ensure safety, the equipment should have at least 2 feet (61 cm) of free space all around it.
5. Ensure that all nuts and bolts are securely tightened before using the equipment. The safety of the equipment can only be maintained if it is regularly examined for damage and/or wear and tear.
6. Always use the equipment as indicated. If you find any defective components while assembling or checking the equipment, or if you hear any unusual noises coming from the equipment during exercise, discontinue use of the equipment immediately. Please contact JLL Fitness on 0121 328 7507 for advice on how to resolve the issue.
7. Wear suitable clothing while using the equipment. Avoid wearing loose clothing that may become entangled in the equipment.
8. Do not place fingers or objects into the moving parts of the equipment.

9. The maximum weight capacity of this unit is 120 kg.
10. To avoid bodily injury and/or damage to the product or property, ensure to follow safe procedures for lifting and moving the item.
11. Your product is intended for use in cool, dry conditions. You should avoid storage in extreme cold, hot or damp areas as this may lead to corrosion and other related problems.
12. This equipment is designed for indoor home use only, it is not intended for commercial use.

USER SAFETY PRECAUTIONS

PRIOR TO USE

- Assemble the rower according to the instruction manual.
- Consult your doctor before beginning any exercise program.
- Read instructions.
- Read warning labels.
- Read emergency stop procedures.
- Maximum user weight is 120kg/ 18.8 St.
- Inspect unit. If damaged, DO NOT USE.
- Ensure every bolt and screw is securely tightened.

DURING USE

- DO NOT use for stretching and DO NOT attach straps or other devices.
- DO NOT allow children aged 12 or younger to be on or near the machine.
- Stop exercising if you feel faint, dizzy, or encounter pain.
- Keep all clothing and accessories clear of moving parts.

EXERCISE SAFETY PRECAUTIONS

- Use sports clothes and gym shoes.
- This model should only be used at home, DO NOT use for commercial purposes.

FACILITY SAFETY PRECAUTIONS

- DO NOT operate this machine in damp or wet locations.
 - Use caution when getting on or off the rower.
 - Check the rowing machine for worn or loose components before each use. DO NOT use until worn or damaged parts are replaced.
 - Maintain regularly. Refer to *Preventive Maintenance* chapter.
 - DO NOT use the rower if: (1) the machine is not working adequately or (2) the rower has been dropped or damaged.
 - DO NOT use the rower outdoors.
-



- Read the instruction manual completely before using the rower.
- Ensure all users wear appropriate footwear on JLL® equipment.
- Set up and operate the rowing machine on a level surface. DO NOT operate in small restricted areas or on plush carpet.
- As far as possible provide the following clearances: 0.5 m at each side and 2 m at the back. Be sure your machine is clear of walls, equipment and other hard surfaces.
- DO NOT modify the unit in any way. Any modifications will void the warranty.
- All the data displayed by the monitor is for reference purposes only.

WARNING STICKERS

Warning stickers indicate a potentially hazardous situation which, if not avoided, could result in death or serious injury. Carefully read the following caution and warning labels before using the unit.

WARNING

DO NOT touch any moving parts during use.

Children and pets must be kept away from machine at all times.

Ensure pull pin is secured in place before using rower.

Appropriate clothing **MUST** be worn whilst exercising.

Please consult a doctor or health professional before undertaking any exercise or health regime.

WARNING

Be careful not to trap connection wires when folding or unfolding rower.

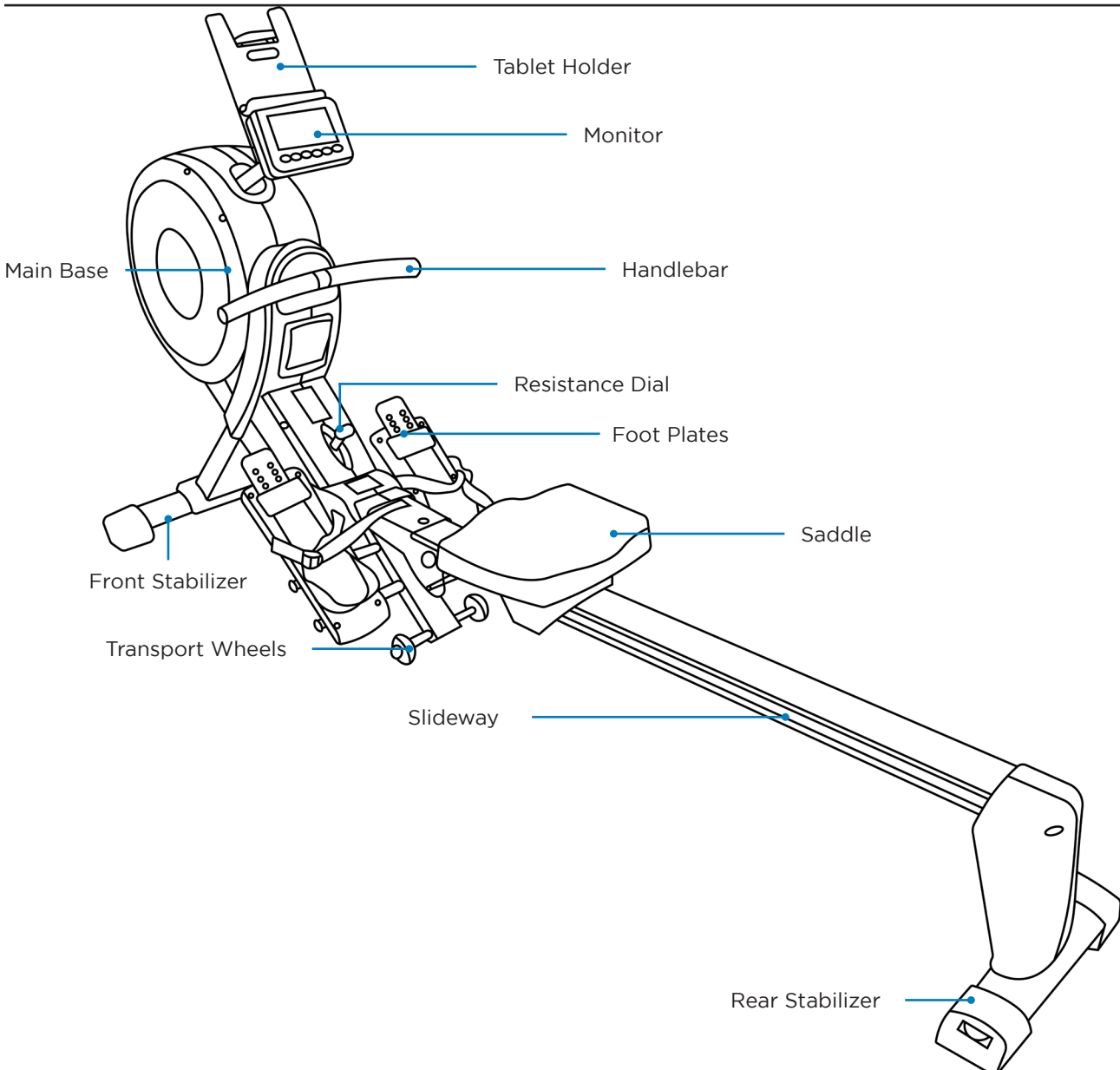
2 ASSEMBLY

PREPARING SITE

To find the ideal location to set up this rowing machine, ensure that:

- Area is well illuminated and well ventilated.
- Surface is level.
- There is enough space to access the unit and emergency dismount. If it is possible, keep the following clearances: 0.5 m at each side and 2 m at the back.
- The rowing machine is placed in an environment with a relative humidity range of 30-50%. Please ensure the temperature is kept constant. Do not use in a moist or damp environment as this may impact on the integrity and performance of the machine.

DIAGRAM

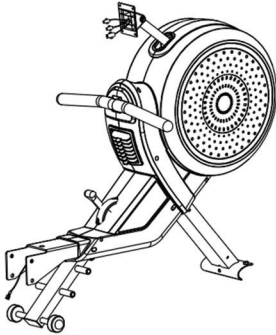


CONTENT LISTING

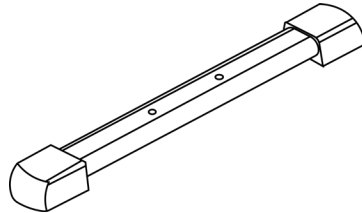


See the diagram on the previous page and content listing below for rower box contents. See *Customer Service* chapter for contact information if any parts are missing.

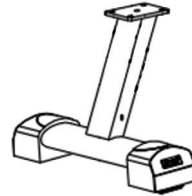
BOX CONTENTS



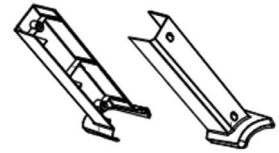
Rower Main Base



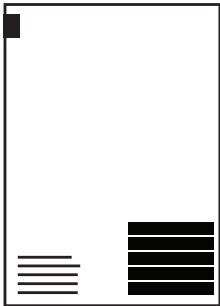
Front Stabilizer



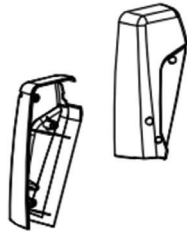
Rear Stabilizer



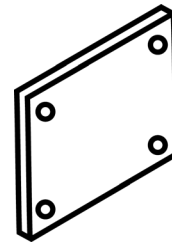
Front Protective Covers



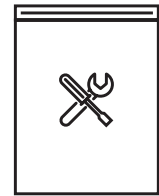
Manual



Rear Protective Covers



Nut Plate
x1



Tools Pack²



Footplates



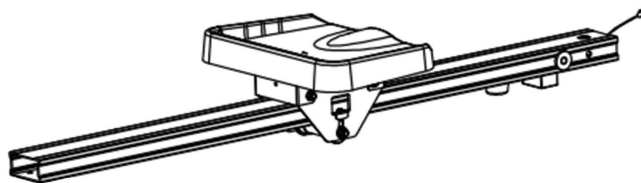
Tablet Holder



Monitor

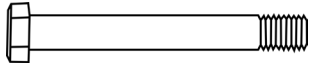


Rubber Cushion
x1

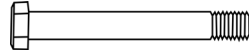


Slideway

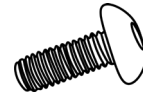
TOOLS PACK



M12 Hex Bolt
x4



M10 Hex Bolt
x1



M8 Inner Hex Screw
x4



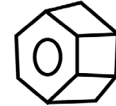
Pop Pin
x1



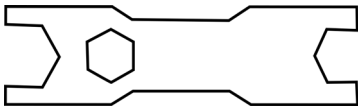
Spring Washer
x4



Flat
Washer
x6



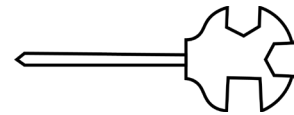
M10 Nylon Nut
x1



Spanner
x2



Hex Allen Key
x1



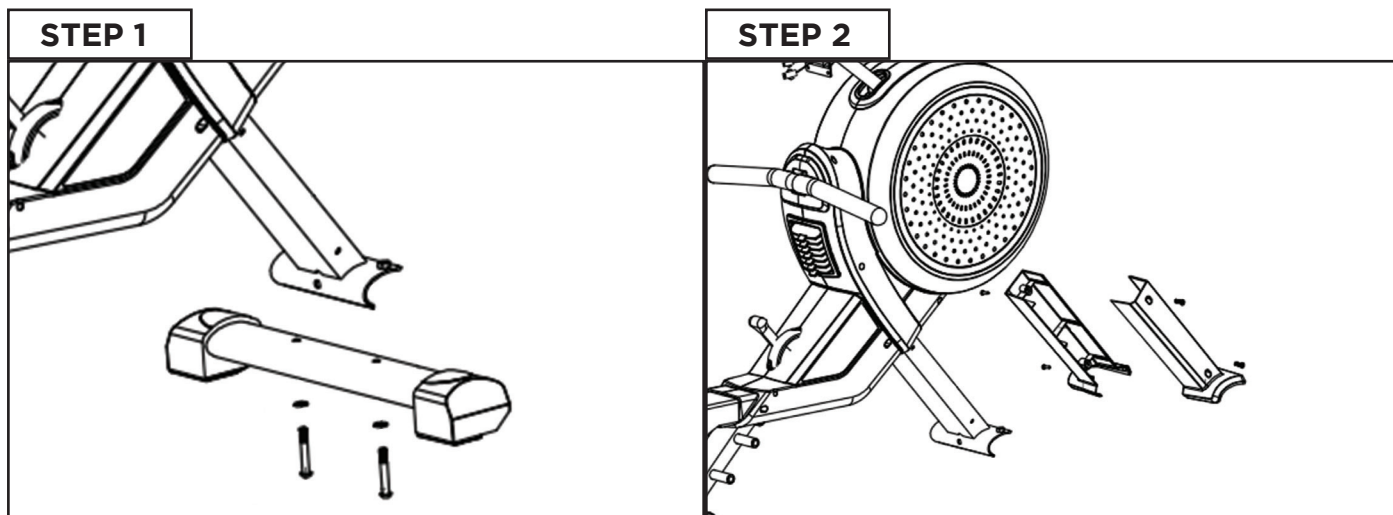
Multi-Tool
x1

VENTUS 2 ASSEMBLY



The rower has been assembled and tested at the factory, so you shouldn't have any problems putting all the parts together. Components are designed to fit together, and only basic tools are required for the assembly process. Inside the box you will find a Tools Pack (Hex Allen Key, Spanner, Washers and Bolts). See previous page.

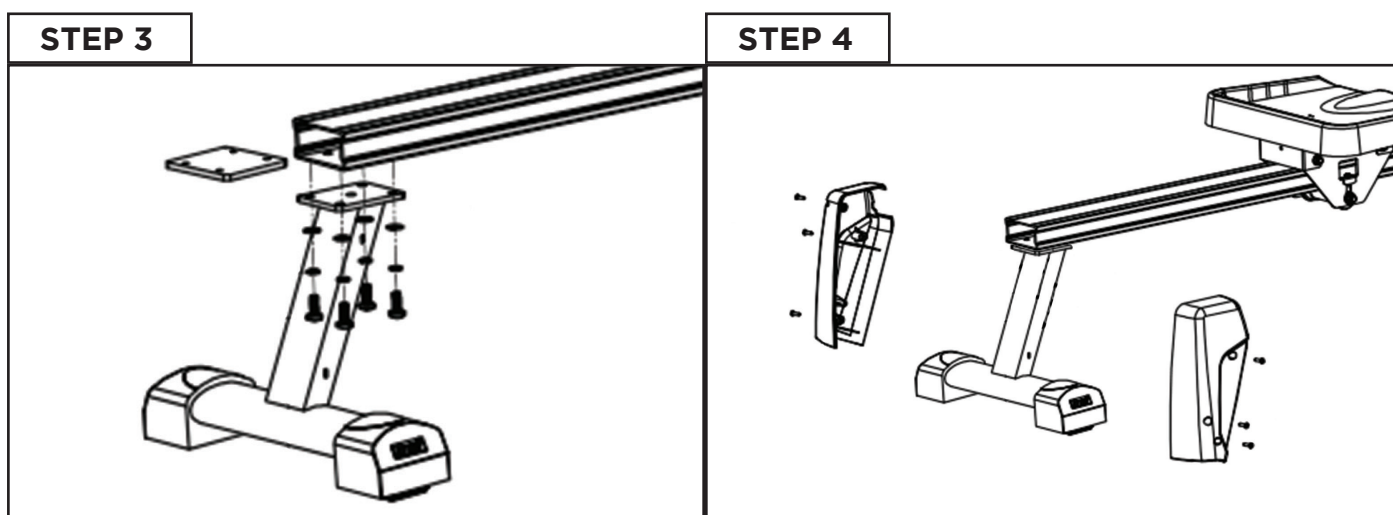
To assemble your JLL Ventus 2 please follow these easy steps:



Attach the front stabiliser to the main base using two M8 inner hex screws and flat washers.

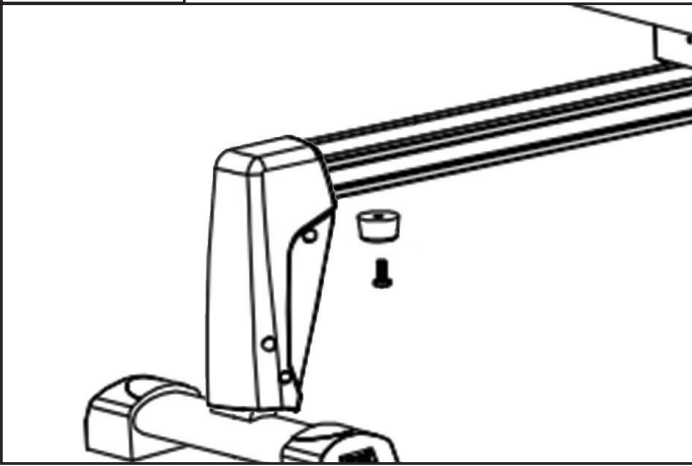
Please Note: You will need to remove these screws from the protective plastic part first.

Secure the front protective covers over the front stabiliser frame using four screws already found within the base.

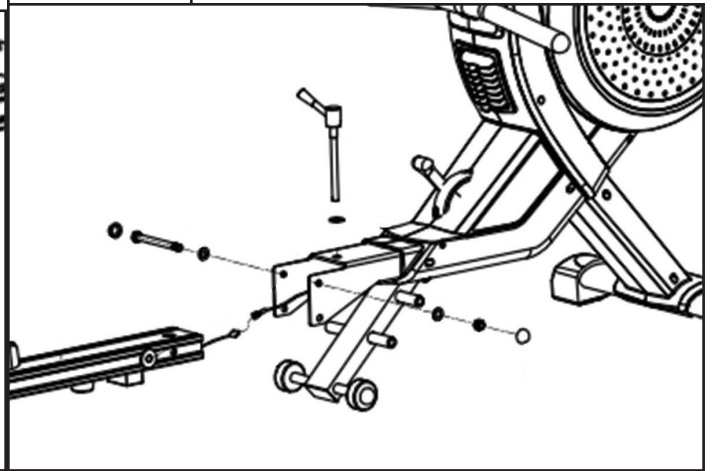


Next, feed the nut plate into the slideway and align the holes. Then attach the rear stabiliser to the slideway using four M8 inner hex screws, spring washers and flat washers from your tools pack.

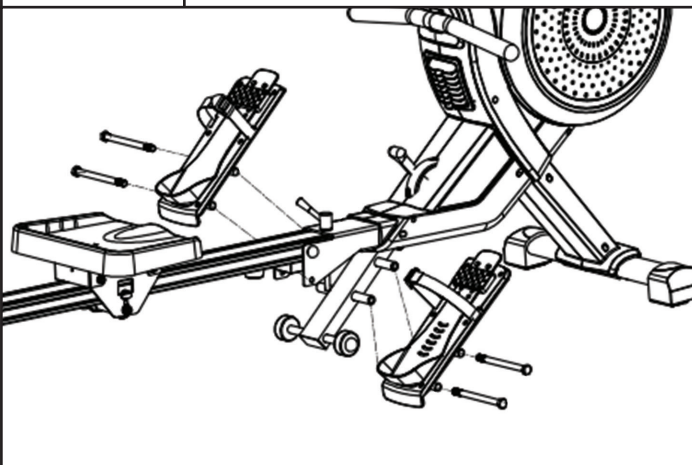
Secure the right and left protective covers to the rear stabiliser using six screws, some found in the frame and some already holding the covers together.

STEP 5

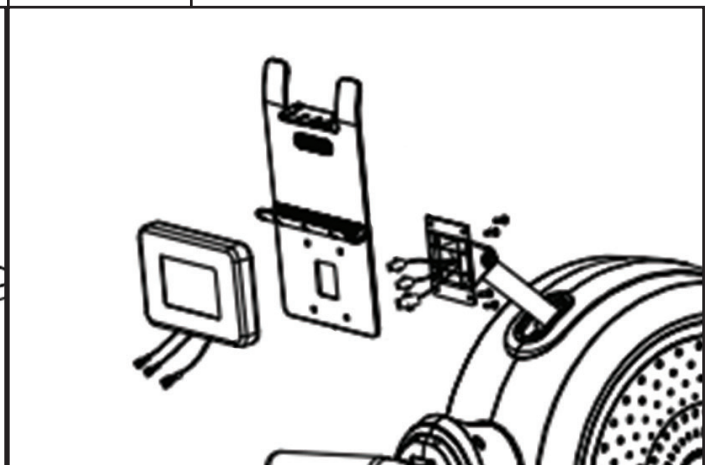
Lock the rubber cushion to the underside of the slideway using one inner hex screw.

STEP 6

Connect the sensor wire from the slideway to the main base then secure the two parts together using one M10 outer hex bolt, flat washer and nylon nut from your tools pack. Then finally lock the slideway in place using the pop pin knob and flat washer.

STEP 7

Secure the footplates to the base using two M12 outer hex bolts each side, these are found in your tools pack.

STEP 8

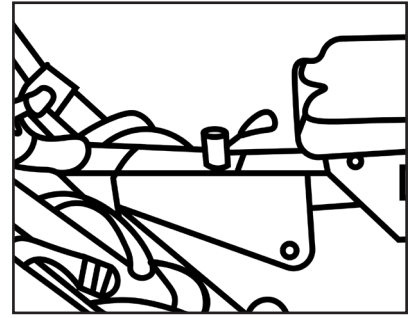
Connect the wires from the monitor through the tablet holder to the monitor bracket. Secure the monitor and iPad holder to the base using four screws already found in the monitor.

FOLDING & UNFOLDING THE ROWING MACHINE



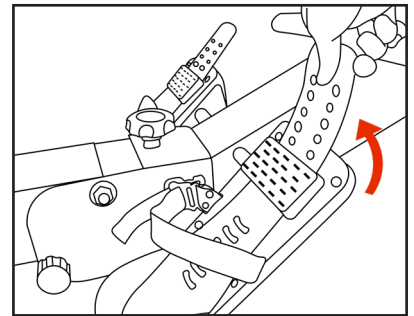
When not in use, you can save space by folding the slideway.

Unscrew the large pull pin on top of the join and pull it out of the machine, lift the slideway and reattach the pull pin along the side of the slideway by aligning the holes in the base to the slideway.



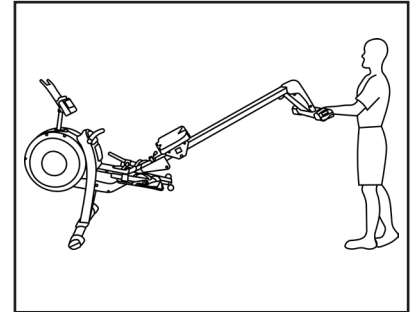
ADJUSTING THE PEDALS

The length of footplate can be adjusted by pulling the plastic slip forward until it is released from the pegs. Slide the footplate up or down to the desired length and line up the holes and push it back into the pegs. There are six levels to choose from.



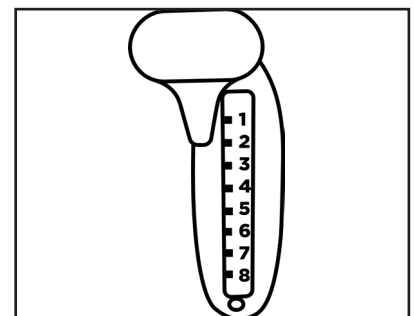
MOVING THE MACHINE

This machine can be transported both folded and unfolded. There are two sets of transport wheels, one on the front stabiliser and the other underneath the slideway. When the rower is unfolded, lift the rear stabiliser until the front wheels touch the ground. When folded, tilt the machine forward until the second set of wheels under the slideway touch the ground.



ADJUSTING THE RESISTANCE

Push or pull the tension control knob up or down to increase or decrease the level of resistance. Level 1 is the lowest and level 8 is the highest.



MONITOR CONFIGURATION



| | | | |
|----------|--------------|----------|-------------------|
| 1 | LCD display | 2 | Recovery Button |
| 3 | Reset Button | 4 | Start/Stop Button |
| 5 | Enter Button | 6 | Down Button |
| 7 | Up Button | | |

MONITOR SPECIFICATIONS

| | |
|-------------------------|-----------------------|
| Time..... | 00:00 - 99:59 MIN:SEC |
| Time 500M..... | 00:00 - 99:59 MIN:SEC |
| Stroke..... | 0 - 9999 |
| Calorie..... | 0.0 - 999.9 |
| Distance..... | 0.0 - 999.9 |
| Strokes Per Minute..... | 0 - 9999 |
| Total Strokes..... | 0 - 9999 |
| Pulse..... | 0 - 240 |
| Temperature..... | 0°C |
| Calendar..... | year, month, day |
| Clock..... | 00:00 |

SPECIFICATIONS



| | |
|-----------------------------|---|
| Display | LCD Monitor: Time, Time 500M, Calorie, Distance, Strokes, Strokes Per Minute (SPM), Pulse, Total Strokes, Date, Clock, Calendar and Temperature |
| Storage | Foldable and built-in two sets of transport wheels. |
| Resistance | Air resistance combined with 8 levels of magnetic resistance |
| Battery | 2 x AA |
| Saddle | Foam filled seat with free movement up and down the slideway. |
| Pedals | Wide platform pedals |
| Handlebars | Foam padded handles |
| Colour | Black and Red |
| Slideway Length | 86 cm |
| Maximum User Weight | 120kg |
| Occupying Area | 214 cm (Length) x 54 cm (Width) x 115 cm (Height) |
| Folded Area | 115 cm (Length) x 54 cm (Width) x 142 cm (Height) |
| Packaging Dimensions | 108 cm (Length) x 91.5 cm (Width) x 28 cm (Height) |
| Gross Weight | 39.5kg |
| Net Weight | 34.7kg |

3 OPERATION

OPERATION PROCEDURES

Auto On/Off: The monitor will turn on when you start rowing or by pressing any button. The monitor will turn off after being inactive for 4 minutes.

When the monitor is powered on, the LCD display will show all the segments for 1 second.

Firstly, you will need to enter the Year (within the Strokes section), the Month (within the Calories section) and the Day (within the Pulse section). After you confirm this, the alarm will sound off.

Press the UP button to set the ON/OFF which is the sign of the alarm.

If the alarm symbol does not display press ENTER, when the alarm display is on you can set the time of the alarm (the same way in which you set the date).

Next press ENTER so that the sport symbol in the top left corner is showing, the MANUAL and RACE will blink ready to be selected. Press UP or DOWN to select either one and then press ENTER to confirm.

MANUAL

Once entered into the manual mode, press UP to set the time, this will be flickering.

Once you have set your target time press ENTER to confirm it. DISTANCE - STROKES - CALORIES - PULSE - TIME can all be set to a specific target however, multiple functions cannot be set during one workout. (E.g. if a target time has been set then a target distance can't also be set)

Press the START/STOP key to begin, the STOP icon will disappear and you can press UP or DOWN to select functions. When the specific function has counted down to zero or you have pressed the START/STOP button the monitor will stop and display the average figure.

RACE

Once you have entered into the RACE mode using the previous steps, the L1 will flash and the TIME 500M may display with 8:00. Use the UP or DOWN buttons to select L1-L15 and press ENTER to confirm. After, you can set the distance of the race (500m - 10000m), the distance section should be flashing. Press ENTER and the image of the race will display on the centre segment. The figures of TIME 500M are;

| | | | | |
|-----------|-----------|-----------|------------|------------|
| L1 - 8:00 | L4 - 6:30 | L7 - 5:00 | L10 - 3:30 | L13 - 2:00 |
| L2 - 7:30 | L5 - 6:00 | L8 - 4:30 | L11 - 3:00 | L14 - 1:30 |
| L3 - 7:00 | L6 - 5:30 | L9 - 4:00 | L12 - 2:30 | L15 - 1:00 |

Press the START/STOP button and the STOP icon will disappear. The monitors race character and yourself will show in the centre, the monitor will stop when you have reached the target distance of the race. PC WIN or USER WIN will be shown. When the race has been completed, you can press START/STOP to repeat the race again.



RECOVERY

After exercising for a period of time, if you are wearing a chest strap press RECOVERY. All functions will stop except for time, this will start counting down from 60 seconds. The screen will then display your heart rate recovery status with F1-F6, F1 being the best and F6 being the worst. Press the RECOVERY button again to return to the main display.

FUNCTIONS

TIME: Counts the duration of your workout.

TIME 500M: Calculates your average 500 meter time. Shares the same segment as time.

STROKES: Counts the strokes completed during your workout.

CALORIE: Counts the estimated calories burnt while exercising.

STROKES PER MINUTE: Displays the average strokes per minute.

DISTANCE: Displays the distance covered in meters throughout your workout.

PULSE: Displays your current heart rate during your workout. The pulse measurement will only function with a chest belt system.

CALENDAR: The monitor will display year, month and day when the monitor is asleep.

TEMPERATURE: The monitor will display current room temperature when the monitor is asleep.

CLOCK: The monitor will display the current time when it is asleep.

TESTING THE ROWER OPERATION

Use the following instructions to test the full resistance of the rower and to check the chain for proper operation.

1. Sit on the machine and place your feet on the footplates, gently complete a few strokes.
2. Check the monitor to make sure the digits are changing.
3. Push or pull the tension control from 1 to 8 and check to feel a difference in the difficulty of resistance.
4. As you are performing each stroke make sure the chain is retracting fully into in the base and is not slack.
5. Also make sure there are no unusual noises coming from the machine and no wobble during your workout.

4 MAINTENANCE

Maintenance must be performed on a regular basis. Performing maintenance actions can aid in providing safe and trouble-free operation of all JLL® equipment.

JLL® are not responsible for performing regular inspection and maintenance actions for your machine. JLL® representatives are available to answer any questions that you may have on +44 (0)800 6123 988.

PREVENTIVE MAINTENANCE ACTIVITIES

Keeping the rowing machine in a clean state will help to prolong its life. Perform regular preventive maintenance to ensure normal operation of the unit. Keep a log of all maintenance actions to assist in staying current with all preventive maintenance activities. JLL® is not responsible for performing regular inspection or maintenance.

Read all instructions and warnings listed both in this chapter and in the *Safety* chapter. Contact JLL® Customer Service on +44 (0)800 6123 988 for any maintenance or service concerns.

Requirements:

- Water
- Dry cloth
- Vacuum

WARNING

1. Only use water to clean and dust. Do not use any cleaning product because they may damage the rower.
2. Be careful not to spill or get excessive moisture between the edge of the display panel, as this might create an electrical hazard or cause failure of the electronics.
3. Direct spraying could cause damage to the electronics and may void the warranty.



Depending on where the rowing machine is placed, you may experience dry air, causing a common experience of static electricity. You can notice that by walking across a carpet and then touching a metal object. On your rower you may experience a shock due to the build-up of static electricity on your body and the discharge path of the rower. If you experience this type of situation, you may want to increase the humidity to a comfortable level through the use of a humidifier.

Check your machine regularly for rust. If rust starts to appear on the screws it means the item is not housed in the correct environment and will need to be moved to a more suitable room. Any rust will indicate there may be moisture in the air and as a result this could impact on the integrity and performance of your machine.

⚠ WARNING

1. Use only JLL® replacement parts.
2. Keep water and liquids away from electrical parts.
3. If you allow your machine to become rusty, this will affect your warranty.

ROWER CLEANING

Keep the slideway free of dust and debris for smooth running and preventing injuries. Debris may cause damage to the rollers underneath the saddle.

After every workout use a neat, dry cloth for cleaning the machine and the handlebars to prevent the unit of corrosion. Wipe away any sweat that may have dripped. Avoid scratching the display by using a soft cloth.

Do not use abrasive or chemical cleaning agents.

3 EASY STEPS TO CLEAN YOUR ROWING MACHINE

Recommendation (these are just a guideline):

- Use a clean cloth to wipe down the whole machine.
- Vacuum or sweep the floor underneath and around the rower to prevent any dust going into the machine. A treadmill mat can help to reduce dust.
- Use a vacuum cleaner or a soft damp cloth to clean machines entire cover area. When not using product for an extended period of time the product should be folded and stored in a suitable environment.

5 ADDITIONAL INFORMATION

CONTACT INFORMATION

In case any issues arise, please do not hesitate to contact our Customer Service team on +44 (0)800 6123 988 or email us at **CONTACT@JLLFITNESS.CO.UK**

You can also visit our support centre at **SUPPORT.JLLFITNESS.CO.UK** for maintenance and assembly articles & videos.

DISCLAIMER

- You should consult your physician, doctor or other health care professional before starting or taking part in any of our workout guides. It is your responsibility to evaluate your own health before taking part or performing any physical activity you may see associated with JLL Fitness Ltd.
- Always seek professional advice before changing your diet or starting any exercise program.
- JLL Fitness Ltd is not liable for any injuries or damages that may occur when assembling or using this rowing machine.
- By reading this you assume full responsibility for any injuries or changes to your physical well-being. You waive all rights and release JLL Fitness Ltd of blame from any injuries or damages to property that may occur whilst following our advice.
- This manual offers specific instructions on how to assemble and maintain your rowing machine. Failure to follow these directions may result in your warranty being void.

FRANÇAIS MANUEL D'INSTRUCTIONS

INSTRUCTIONS DE MONTAGE ET SUPPORT TECHNIQUE

1. Scannez le code QR.
2. Suivez le lien vers notre chaîne YouTube ou notre page de téléchargements.
3. Assemblez votre machine en toute sécurité.



SUIVEZ-NOUS SUR LES RÉSEAUX SOCIAUX!

Obtenez les dernières informations sur les produits, le contenu de formation et plus encore.



CONTENU

| | |
|----------------------|----|
| Schéma éclaté..... | 26 |
| Liste de pièces..... | 27 |

1. INSTRUCTIONS DE SÉCURITÉ

| | |
|---|----|
| Informations importantes sur la sécurité..... | 28 |
| Précautions de sécurité pour l'utilisateur..... | 29 |
| Avant l'utilisation..... | 29 |
| Pendant l'utilisation..... | 29 |
| Précautions de sécurité pour l'exercice..... | 29 |
| Précautions de sécurité pour l'établissement..... | 30 |
| Autocollants d'avertissement..... | 31 |

2. ASSEMBLAGE

| | |
|--|----|
| Préparation du site..... | 32 |
| Diagramme..... | 32 |
| Liste du contenu..... | 33 |
| Contenu de la boîte..... | 33 |
| Kit d'outils..... | 34 |
| Assemblage du Ventus 2..... | 35 |
| Plier et déplier la machine à ramer..... | 37 |
| Ajuster les pédales..... | 37 |
| Déplacer la machine..... | 37 |
| Ajuster la résistance..... | 37 |
| Configuration du moniteur..... | 38 |
| Spécifications du moniteur..... | 38 |
| Spécifications..... | 39 |

3. FONCTIONNEMENT

| | |
|---------------------------------------|----|
| Procédures d'exploitation..... | 40 |
| Manuel..... | 40 |
| Course..... | 40 |
| Récupération..... | 41 |
| Fonctions..... | 41 |
| Test de fonctionnement du rameur..... | 41 |

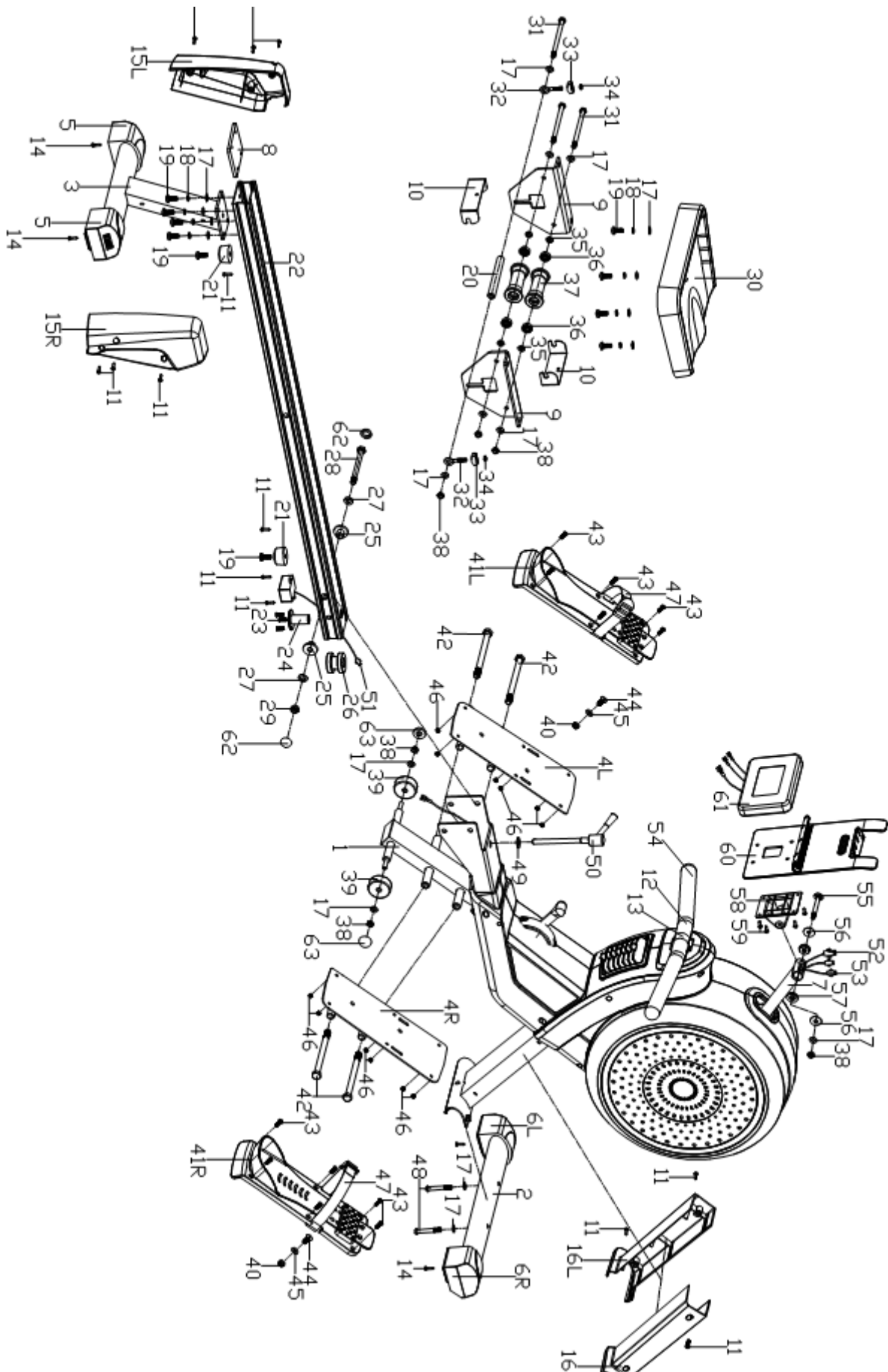
4. MAINTENANCE

| | |
|--|----|
| Activités de maintenance préventive | 42 |
| Nettoyage du rameur | 43 |
| 3 étapes faciles pour nettoyer votre rameur..... | 43 |

5. INFORMATIONS COMPLÉMENTAIRES

| | |
|---|----|
| Informations de contact | 44 |
| Avis de non-responsabilité | 44 |

SCHÉMA ÉCLATÉ



| NO. | Description | QTY | NO. | Description | QTY |
|-------|--|------|-------|----------------------------------|------|
| 1 | Cadre principal | 1 | 33 | Rondelle en forme de U réglable | 2 |
| 2 | Tube inférieur avant | 1 | 34 | Écrou en nylon M6 | 2 |
| 3 | Tube inférieur arrière | 1 | 35 | Espaceur de roue de rouleau | 4 |
| 4 L/R | Pédale | 1 pr | 36 | Roulement | 4 |
| 5 | Capuchon d'extrémité de tube inférieur arrière | 2 | 37 | Roue de rouleau de chemin de fer | 2 |
| 6 L/R | Capuchon avant | 1 pr | 38 | Écrou en nylon M8 | 6 |
| 7 | Support de console | 1 | 39 | Roue de rouleau | 2 |
| 8 | Plaque d'écrou | 1 | 40 | Écrou en nylon M8 | 2 |
| 9 | Planche de support | 2 | 41L/R | Pédale gauche/droite | 1 pr |
| 10 | Planche en forme de U | 2 | 42 | Boulon hexagonal externe M12x160 | 4 |
| 11 | Vis à tête cruciforme ST4.2x18 | 14 | 43 | Vis à tête cylindrique M5x15 | 12 |
| 12 | Guidon | 1 | 44 | Vis hexagonale intérieure M8x20 | 2 |
| 13 | Courroie | 1 | 45 | Rondelle plate D8x1.5 | 2 |
| 14 | Vis à tête cruciforme ST4.2x16 | 4 | 46 | Écrou en nylon M5 | 12 |
| 15L/R | Couvercle de protection arrière | 1 pr | 47 | Sangle de pédale | 2 |
| 16L/R | Couvercle de protection avant | 1 pr | 48 | Vis hexagonale intérieure M8x55 | 2 |
| 17 | Rondelle plate D8x1.5 | 19 | 49 | Rondelle plate D12x24x2 | 1 |
| 18 | Rondelle ressort D8 | 8 | 50 | Bouton de verrouillage | 1 |
| 19 | Vis hexagonale intérieure M8x20 | 10 | 51 | Fil de pouls | 1 |
| 20 | Entretoise | 1 | 52 | Fil de connexion | 1 |
| 21 | Coussin en caoutchouc | 2 | 53 | Fil du capteur | 2 |
| 22 | Rail | 1 | 54 | Poignée en mousse | 2 |
| 23 | Vis à tête cylindrique M5x15 | 3 | 55 | Boulon de carrosserie M8x74 | 1 |
| 24 | Colonne de localisation | 1 | 56 | Coussin en caoutchouc 1 | 2 |
| 25 | Barre d'isolation de rail | 2 | 57 | Douille en alliage | 2 |
| 26 | Colonne de force | 1 | 58 | Siège fixe | 1 |
| 27 | Rondelle plate D10x20x2 | 2 | 59 | Vis à tête cylindrique | 4 |
| 28 | Boulon hexagonal externe M10x112 | 1 | 60 | Support de support pour iPad | 1 |
| 29 | Écrou en nylon M10 | 1 | 61 | Console | 1 |
| 30 | Siège | 1 | 62 | Capuchon d'extrémité 1 | 2 |
| 31 | Boulon hexagonal externe M8x125 | 3 | 63 | Capuchon d'extrémité 2 | 2 |
| 32 | Boulon de chaîne réglable | 2 | | | |

1 INSTRUCTIONS DE SÉCURITÉ

Veillez prêter attention aux instructions suivantes avant d'utiliser cette machine à ramer.

INFORMATIONS DE SÉCURITÉ IMPORTANTES

Merci d'avoir choisi notre produit. Pour garantir votre santé et votre sécurité, veuillez utiliser cet équipement comme conseillé. Il est important de lire l'intégralité de ce manuel avant d'assembler et d'utiliser l'équipement. Une utilisation sûre et efficace ne peut être atteinte que si l'équipement est assemblé, entretenu et utilisé conformément au manuel. Il est de votre responsabilité de vous assurer que tous les utilisateurs de l'équipement sont informés de toutes les mises en garde et précautions.

1. Avant de commencer tout programme d'exercice, vous devriez consulter un professionnel de la santé pour déterminer si vous avez des conditions médicales ou physiques qui pourraient mettre votre santé et votre sécurité en danger ou vous empêcher d'utiliser l'équipement correctement. L'avis d'un professionnel de la santé est essentiel si vous prenez des médicaments qui affectent votre fréquence cardiaque, votre pression artérielle ou votre taux de cholestérol.
2. Soyez attentif aux signaux de votre corps. Un exercice incorrect ou excessif peut nuire à votre santé. Arrêtez l'exercice si vous ressentez l'un des symptômes suivants : douleur, sensation de serrement dans la poitrine, rythme cardiaque irrégulier, étourdissements ou sensations de nausée. Si vous éprouvez l'une de ces conditions, vous devriez consulter un professionnel de la santé avant de poursuivre votre programme d'exercice.
3. Éloignez les enfants et les animaux domestiques de l'équipement. L'équipement est conçu uniquement pour une utilisation par des adultes.
4. Utilisez l'équipement sur une surface solide, plane et utilisez un tapis de protection pour votre sol ou votre moquette. Pour assurer la sécurité, l'équipement doit avoir au moins 61 cm d'espace libre tout autour de lui.
5. Assurez-vous que tous les écrous et boulons sont bien serrés avant d'utiliser l'équipement. La sécurité de l'équipement ne peut être maintenue que s'il est régulièrement inspecté pour les dommages et/ou l'usure.
6. Utilisez toujours l'équipement comme indiqué. Si vous trouvez des composants défectueux lors de l'assemblage ou de la vérification de l'équipement, ou si vous entendez des bruits inhabituels provenant de l'équipement pendant l'exercice, cessez immédiatement d'utiliser l'équipement. Veuillez contacter JLL Fitness au 0800 6123 988 pour obtenir des conseils sur la résolution du problème.
7. Portez des vêtements appropriés lors de l'utilisation de l'équipement. Évitez de porter des vêtements amples qui pourraient s'emmêler dans l'équipement.



8. Ne placez pas vos doigts ni d'objets dans les pièces mobiles de l'équipement.
9. La capacité de poids maximale de cette unité est de 120 kg.
10. Pour éviter les blessures corporelles et/ou les dommages au produit ou à la propriété, veillez à suivre les procédures de levage et de déplacement sécuritaires.
11. Votre produit est destiné à être utilisé dans des conditions fraîches et sèches. Évitez de le stocker dans des zones extrêmement froides, chaudes ou humides, car cela peut entraîner de la corrosion et d'autres problèmes connexes.
12. Cet équipement est conçu uniquement pour une utilisation en intérieur à domicile et n'est pas destiné à un usage commercial.

PRÉCAUTIONS DE SÉCURITÉ DE L'UTILISATEUR

AVANT UTILISATION

- Assemblez l'aviron conformément au manuel d'instructions.
- Consultez votre médecin avant de commencer un programme d'exercices.
- Lisez les instructions.
- Lisez les étiquettes d'avertissement.
- Familiarisez-vous avec les procédures d'arrêt d'urgence.
- Le poids maximum de l'utilisateur est de 120kg/ 18.8 St.
- Inspectez l'unité. En cas de dommage, NE PAS UTILISER.
- Assurez-vous que chaque boulon et vis est solidement serré.

PENDANT L'UTILISATION

- NE PAS utiliser pour l'étirement et NE PAS attacher de sangles ou d'autres dispositifs.
- NE PERMETTEZ PAS aux enfants de 12 ans ou moins d'être sur ou près de la machine.
- Arrêtez l'exercice si vous vous sentez faible, étourdi ou ressentez de la douleur.
- Gardez tous les vêtements et accessoires à l'écart des pièces en mouvement.

PRÉCAUTIONS DE SÉCURITÉ POUR L'EXERCICE

- Portez des vêtements de sport et des chaussures de sport.
- Ce modèle ne doit être utilisé qu'à domicile, NE PAS l'utiliser à des fins commerciales.

PRÉCAUTIONS DE SÉCURITÉ POUR L'ÉTABLISSEMENT

- NE PAS utiliser cette machine dans des endroits humides ou mouillés.
- Soyez prudent en montant ou en descendant du rameur.
- Vérifiez le rameur pour des composants usés ou desserrés avant chaque utilisation. NE PAS utiliser tant que les pièces usées ou endommagées n'ont pas été remplacées.
- Effectuez régulièrement la maintenance. Reportez-vous au chapitre sur la maintenance préventive.
- NE PAS utiliser le rameur si : (1) la machine ne fonctionne pas correctement ou (2) le rameur a été endommagé ou laissé tomber.
- NE PAS utiliser le rameur en extérieur.
- Lisez le manuel d'instruction intégralement avant d'utiliser le rameur.
- Assurez-vous que tous les utilisateurs portent des chaussures appropriées sur l'équipement JLL®.
- Installez et utilisez le rameur sur une surface plane. NE L'utilisez PAS dans de petits espaces restreints ou sur un tapis moelleux.
- Fournissez autant que possible les dégagements suivants : 0,5 m de chaque côté et 2 m à l'arrière. Assurez-vous que votre machine est éloignée des murs, de l'équipement et d'autres surfaces dures.
- NE MODIFIEZ PAS l'unité de quelque manière que ce soit. Toutes modifications annuleront la garantie.
- Toutes les données affichées par le moniteur sont à des fins de référence uniquement.

AUTOCOLLANTS D'AVERTISSEMENT

Les autocollants d'avertissement indiquent une situation potentiellement dangereuse qui, si elle n'est pas évitée, pourrait entraîner la mort ou des blessures graves. Lisez attentivement les avertissements et les étiquettes de précaution suivants avant d'utiliser l'appareil.

AVERTISSEMENT

NE PAS toucher les pièces en mouvement pendant l'utilisation.

Les enfants et les animaux domestiques doivent être tenus à l'écart de la machine en tout temps.

Assurez-vous que la goupille de traction est bien fixée en place avant d'utiliser le rameur.

Des vêtements appropriés **DOIVENT** être portés pendant l'exercice.

Veillez consulter un médecin ou un professionnel de la santé avant de commencer tout programme d'exercice ou de santé.

AVERTISSEMENT

Faites attention à ne pas coincer les fils de connexion lors du pliage ou du dépliage du rameur.

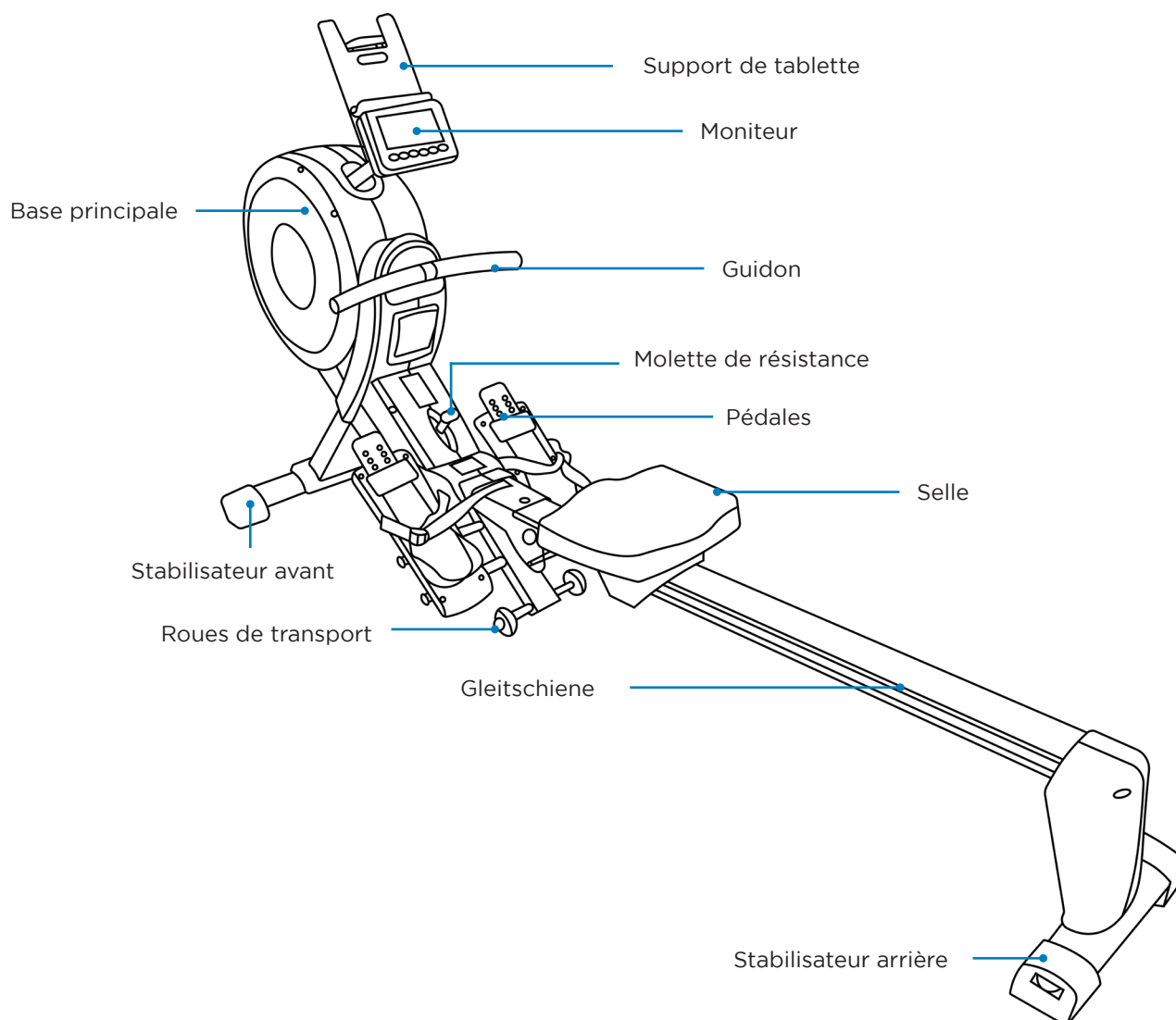
2 ASSEMBLAGE

PRÉPARATION DU SITE

Pour trouver l'emplacement idéal pour installer ce rameur, assurez-vous que :

- La zone est bien éclairée et bien ventilée.
- La surface est de niveau.
- Il y a suffisamment d'espace pour accéder à l'appareil et pour une descente d'urgence. Si possible, maintenez les dégagements suivants : 0,5 m de chaque côté et 2 m à l'arrière.
- Le rameur est placé dans un environnement avec une plage d'humidité relative de 30 à 50 %. Assurez-vous que la température est maintenue constante. N'utilisez pas dans un environnement humide, car cela peut affecter l'intégrité et les performances de l'appareil.

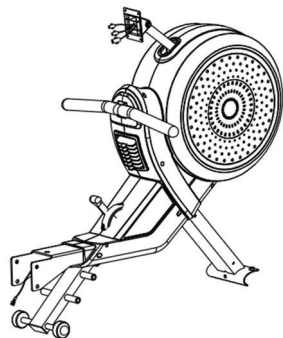
DIAGRAMME



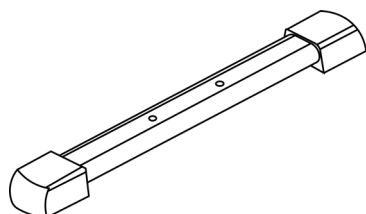
LISTE DU CONTENU

Voir le schéma sur la page précédente et la liste des contenus ci-dessous pour le contenu de la boîte du rameur. Consultez le chapitre Service Client pour les coordonnées si des pièces manquent.

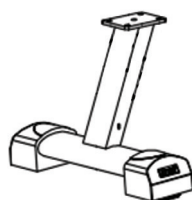
CONTENU DE LA BOÎTE



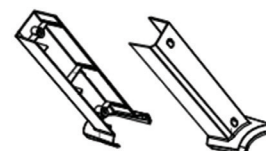
Base principale du rameur



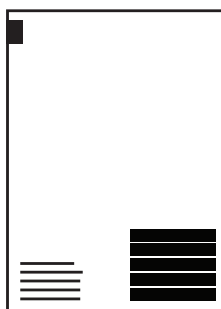
Stabilisateur avant



Stabilisateur arrière



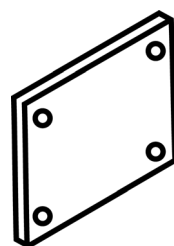
Housses de protection avant



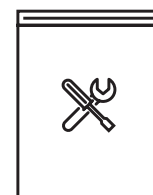
Manuel



Housses de protection arrière



Plaque d'écrou



Ensemble d'outils



Plaques de pied



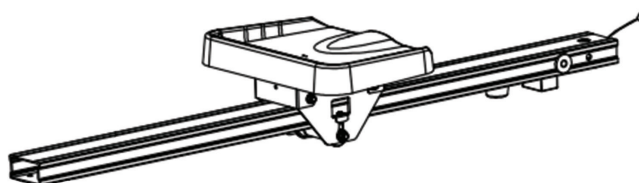
Support de tablette



Moniteur

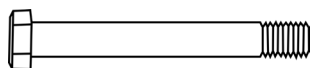


Coussin en caoutchouc

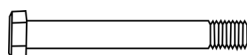


Chemin de glissement

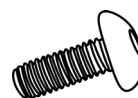
PACK D'OUTILS



Boulon hexagonal M12
x4



Boulon hexagonal M10
x1



Vis à tête hexagonale
intérieure M8
x4



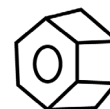
Goupille de verrouillage
x1



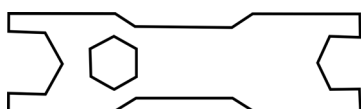
Rondelle élastique
x4



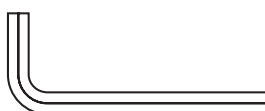
Rondelle
plate
x6



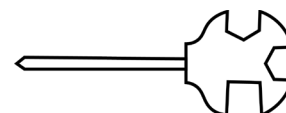
Écrou en nylon
M10
x1



Clé à molette
x2



Clé hexagonale Allen
x1



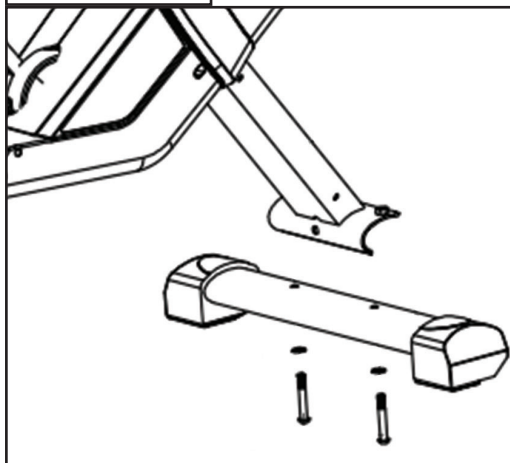
Outil multifonction
x1

ASSEMBLAGE VENTUS 2

Le rameur a été assemblé et testé à l'usine, donc vous ne devriez pas rencontrer de problèmes pour assembler toutes les pièces. Les composants sont conçus pour s'emboîter, et seul un outillage de base est nécessaire pour le processus d'assemblage. À l'intérieur de la boîte, vous trouverez un pack d'outils (clé hexagonale, clé à molette, rondelles et boulons). Voir la page précédente.

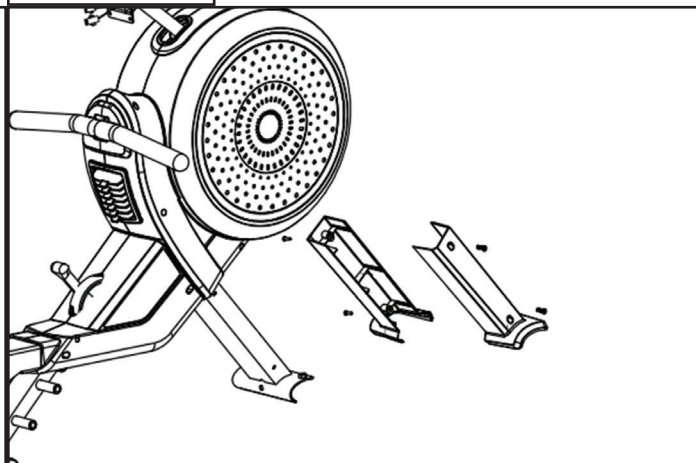
Pour assembler votre JLL Ventus 2, veuillez suivre ces étapes simples :

ÉTAPE 1



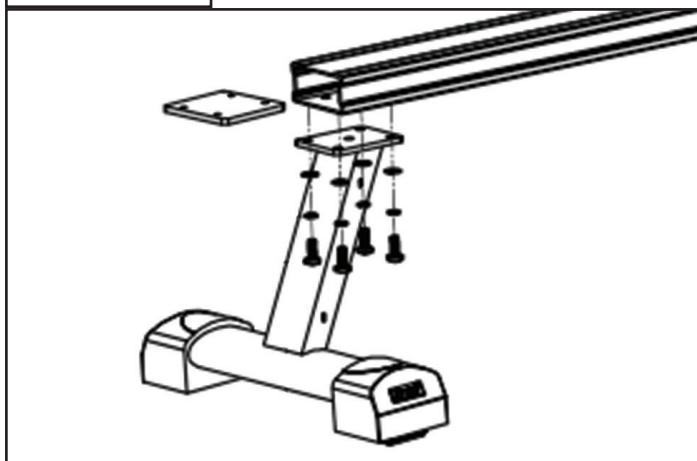
Fixez le stabilisateur avant à la base principale à l'aide de deux vis hexagonales intérieures M8 et de rondelles plates. Note : Vous devrez d'abord retirer ces vis de la pièce en plastique protectrice.

ÉTAPE 2



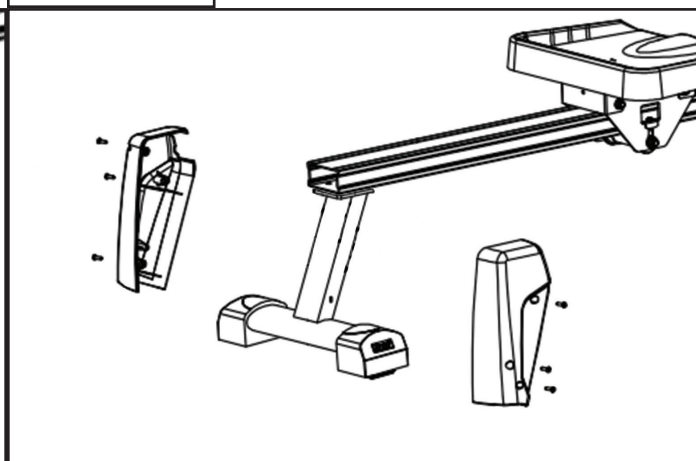
Fixez les couvercles de protection avant sur le cadre du stabilisateur avant à l'aide de quatre vis déjà présentes dans la base.

ÉTAPE 3



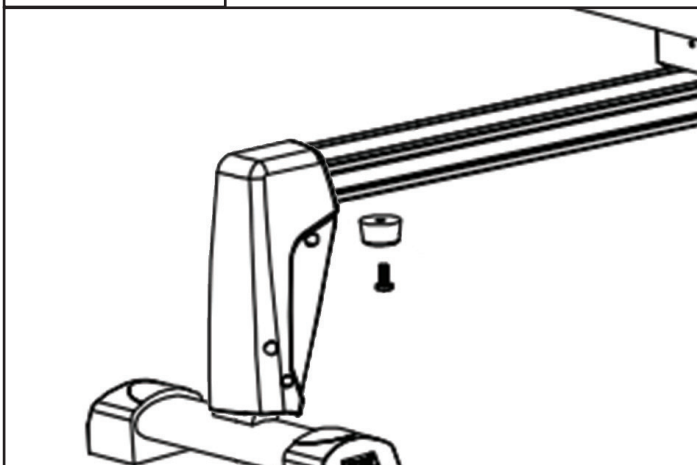
Ensuite, insérez la plaque écrou dans la glissière et alignez les trous. Ensuite, fixez le stabilisateur arrière à la glissière à l'aide de quatre vis hexagonales intérieures M8, de rondelles à ressort et de rondelles plates provenant de votre kit d'outils.

ÉTAPE 4



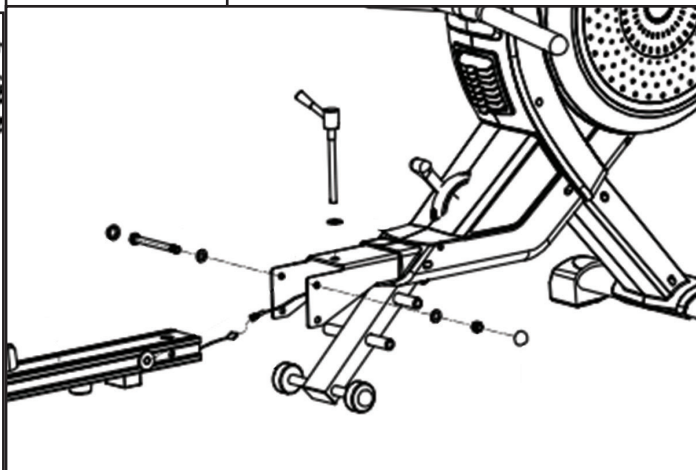
Fixez les couvercles de protection droit et gauche au stabilisateur arrière à l'aide de six vis, certaines trouvées dans le cadre et d'autres déjà utilisées pour maintenir les couvercles ensemble.

ÉTAPE 5



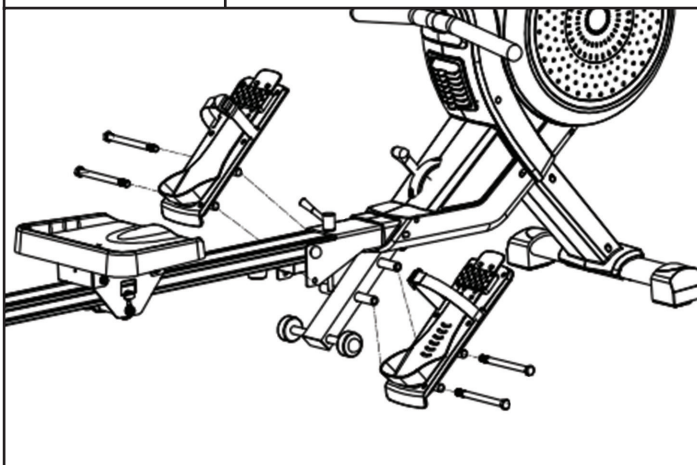
Fixez le coussin en caoutchouc sur la face inférieure de la glissière à l'aide d'une vis hexagonale intérieure.

ÉTAPE 6



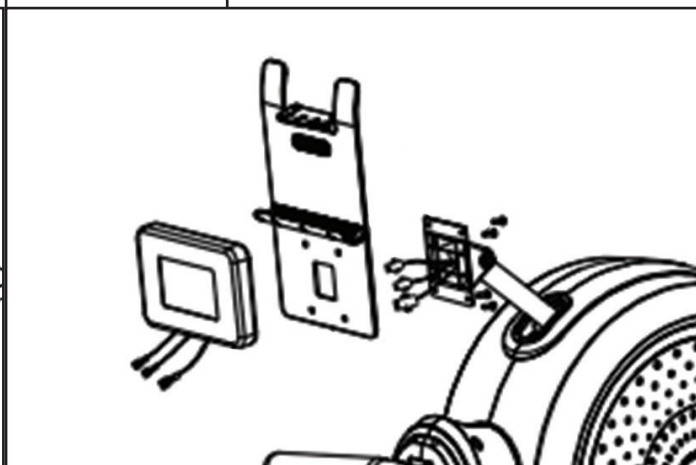
Connectez le fil du capteur de la glissière à la base principale, puis fixez les deux parties ensemble à l'aide d'un boulon hexagonal extérieur M10, d'une rondelle plate et d'un écrou en nylon de votre kit d'outils. Ensuite, verrouillez la glissière en place à l'aide du bouton à broche et d'une rondelle plate.

ÉTAPE 7



Securez les repose-pieds à la base en utilisant deux boulons hexagonaux extérieurs M12 de chaque côté, ceux-ci se trouvent dans votre kit d'outils.

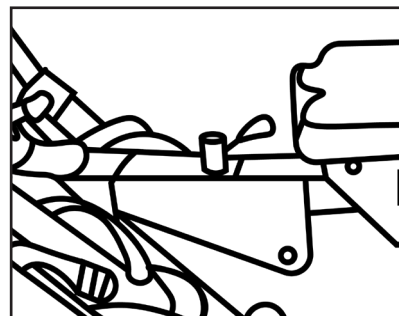
ÉTAPE 8



Connectez les fils du moniteur à travers le support de tablette jusqu'au support du moniteur. Fixez le moniteur et le support iPad à la base à l'aide de quatre vis déjà présentes dans le moniteur.

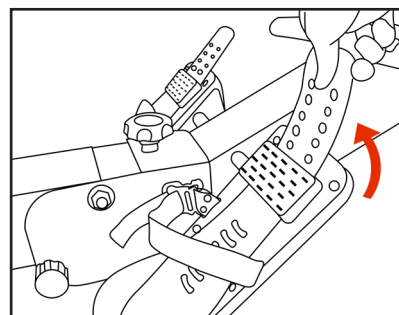
PLIAGE ET DÉPLIAGE DE LA MACHINE À RAMER

Lorsqu'il n'est pas utilisé, vous pouvez économiser de l'espace en repliant la glissière. Dévissez la grande goupille de traction située sur le dessus de la jonction et retirez-la de la machine, soulevez la glissière et réattachez la goupille de traction le long du côté de la glissière en alignant les trous de la base avec ceux de la glissière.



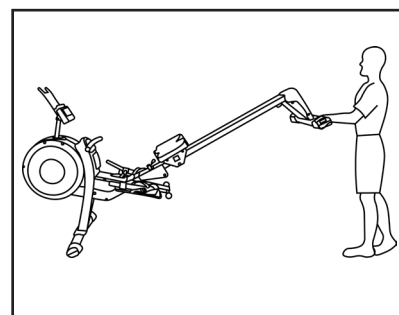
AJUSTEMENT DES PÉDALES

La longueur du repose-pieds peut être ajustée en tirant le coulisseau en plastique vers l'avant jusqu'à ce qu'il se libère des chevilles. Faites glisser le repose-pieds vers le haut ou vers le bas jusqu'à la longueur désirée et alignez les trous, puis poussez-le de nouveau dans les chevilles. Il y a six niveaux parmi lesquels choisir.



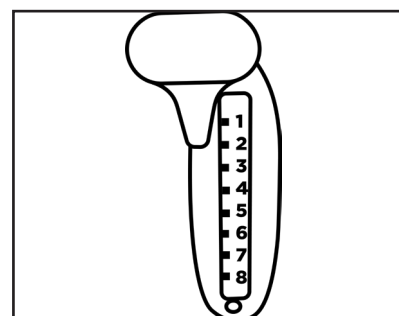
DÉPLACER LA MACHINE

Cette machine peut être transportée à la fois pliée et dépliée. Il y a deux ensembles de roues de transport, l'un sur le stabilisateur avant et l'autre sous le coulisseau. Lorsque le rameur est déplié, soulevez le stabilisateur arrière jusqu'à ce que les roues avant touchent le sol. Lorsqu'il est plié, inclinez la machine vers l'avant jusqu'à ce que le deuxième ensemble de roues sous le coulisseau touche le sol.



AJUSTER LA RÉSISTANCE

Poussez ou tirez le bouton de contrôle de la tension vers le haut ou vers le bas pour augmenter ou diminuer le niveau de résistance. Le niveau 1 est le plus bas et le niveau 8 est le plus élevé.



CONFIGURATION DU MONITEUR



| | | | |
|----------|----------------------------|----------|-------------------------|
| 1 | Affichage LCD | 2 | Bouton de récupération |
| 3 | Bouton de réinitialisation | 4 | Bouton Démarrer/Arrêter |
| 5 | Bouton Entrée | 6 | Bouton Bas |
| 7 | Bouton Haut | | |

SPECIFICATIONS DE L'ÉCRAN

| | |
|-----------------------|-------------------|
| Temps..... | 00:00 - 99:59 MIN |
| Temps 500M..... | 00:00 - 99:59 MIN |
| Course..... | 0 - 9999 |
| Calorie..... | 0.0 - 999.9 |
| Distance..... | 0.0 - 999.9 |
| Coups par Minute..... | 0 - 9999 |
| Coups Totals..... | 0 - 9999 |
| Pouls..... | 0 - 240 |
| Température..... | 0°C |
| Calendrier..... | année,mois,jour |
| Horloge..... | 00:00 |

SPÉCIFICATIONS

| | |
|---------------------------------------|--|
| Écran | Écran LCD : Temps, Temps 500M, Calories, Distance, Coups, Coups par minute (CPM), Pouls, Total des coups, Date, Horloge, Calendrier et Température |
| Rangement | Pliable et équipé de deux ensembles de roues de transport intégrées. |
| Résistance | Résistance à air combinée avec 8 niveaux de résistance magnétique |
| Batterie | 2 piles AA |
| Selle | Siège rembourré en mousse avec mouvement libre le long de la glissière. |
| Pédales | Pédales larges à plateforme |
| Guidon | Poignées rembourrées en mousse |
| Couleur | Noir et rouge |
| Longueur de la glissière | 86 cm |
| Poids maximum de l'utilisateur | 120kg |
| Surface occupée | 214 cm (longueur) x 54 cm (largeur) x 115 cm (hauteur) |
| Zone pliée | 115 cm (longueur) x 54 cm (largeur) x 142 cm (hauteur) |
| Dimensions de l'emballage | 108 cm (longueur) x 91,5 cm (largeur) x 28 cm (hauteur) |
| Poids brut | 39.5kg |
| Poids net | 34.7kg |

3 OPÉRATION

PROCÉDURES D'OPÉRATION

Auto On/Off : Le moniteur s'allume lorsque vous commencez à ramer ou en appuyant sur n'importe quel bouton. Le moniteur s'éteindra après 4 minutes d'inactivité.

Lorsque le moniteur est allumé, l'affichage LCD affiche tous les segments pendant 1 seconde.

Tout d'abord, vous devrez entrer l'année (dans la section Coups), le mois (dans la section Calories) et le jour (dans la section Poulx). Après confirmation, l'alarme retentira. Appuyez sur le bouton HAUT pour régler l'activation/désactivation, qui est le symbole de l'alarme. Si le symbole de l'alarme n'apparaît pas, appuyez sur ENTREZ. Lorsque l'affichage de l'alarme est activé, vous pouvez régler l'heure de l'alarme (de la même manière que vous avez réglé la date). Appuyez ensuite sur ENTREZ pour que le symbole de sport dans le coin supérieur gauche s'affiche, MANUEL et COURSE clignoteront et seront prêts à être sélectionnés. Appuyez sur HAUT ou BAS pour en sélectionner un, puis appuyez sur ENTREZ pour confirmer.

MANUEL

Une fois entré en mode manuel, appuyez sur la touche UP pour régler l'heure, qui clignotera. Une fois que vous avez défini votre temps cible, appuyez sur ENTER pour le confirmer. DISTANCE - STROKES - CALORIES - PULSE - TIME peuvent tous être réglés sur une cible spécifique, mais plusieurs fonctions ne peuvent pas être réglées pendant un seul entraînement (par exemple, si un temps cible est défini, alors une distance cible ne peut pas être définie en même temps). Appuyez sur la touche START/STOP pour commencer, l'icône STOP disparaîtra et vous pourrez appuyer sur UP ou DOWN pour sélectionner les fonctions. Lorsque la fonction spécifique a atteint zéro ou que vous avez appuyé sur le bouton START/STOP, le moniteur s'arrêtera et affichera la valeur moyenne.

COURSE

Une fois que vous avez accédé au mode RACE en suivant les étapes précédentes, le L1 clignotera et le TEMPS 500M peut s'afficher avec 8:00. Utilisez les boutons HAUT ou BAS pour sélectionner L1-L15 et appuyez sur ENTRER pour confirmer. Ensuite, vous pouvez régler la distance de la course (500m - 10000m), la section de distance devrait clignoter. Appuyez sur ENTRER et l'image de la course s'affichera sur le segment central. Les chiffres du TEMPS 500M sont :

| | | | | |
|-----------|-----------|-----------|------------|------------|
| L1 - 8:00 | L4 - 6:30 | L7 - 5:00 | L10 - 3:30 | L13 - 2:00 |
| L2 - 7:30 | L5 - 6:00 | L8 - 4:30 | L11 - 3:00 | L14 - 1:30 |
| L3 - 7:00 | L6 - 5:30 | L9 - 4:00 | L12 - 2:30 | L15 - 1:00 |

Appuyez sur le bouton START/STOP et l'icône STOP disparaîtra. Les moniteurs de la course et de vous-même apparaîtront au centre, le moniteur s'arrêtera lorsque vous aurez atteint la distance cible de la course. PC WIN ou USER WIN seront affichés. Une fois la course terminée, vous pouvez appuyer sur START/STOP pour refaire la course.

RÉCUPÉRATION

Après avoir fait de l'exercice pendant un certain temps, si vous portez une ceinture thoracique, appuyez sur RECOVERY. Toutes les fonctions s'arrêteront à l'exception de l'heure, cela commencera à décompter à partir de 60 secondes. L'écran affichera ensuite votre état de récupération du rythme cardiaque avec F1-F6, F1 étant le meilleur et F6 le pire. Appuyez de nouveau sur le bouton RECOVERY pour revenir à l'affichage principal.

FONCTIONS

TEMPS : Compte la durée de votre entraînement.

TEMPS 500M : Calcule votre temps moyen sur 500 mètres. Partage le même segment que le temps.

COUPS : Compte les coups réalisés pendant votre entraînement.

CALORIE : Compte les calories estimées brûlées pendant l'exercice.

COUPS PAR MINUTE : Affiche la moyenne des coups par minute.

DISTANCE : Affiche la distance parcourue en mètres pendant votre entraînement.

POULS : Affiche votre rythme cardiaque actuel pendant votre entraînement. La mesure du pouls fonctionnera uniquement avec un système de ceinture thoracique.

CALENDRIER : Le moniteur affiche l'année, le mois et le jour lorsque le moniteur est en veille.

TEMPÉRATURE : Le moniteur affiche la température ambiante actuelle lorsque le moniteur est en veille.

HORLOGE : Le moniteur affiche l'heure actuelle lorsqu'il est en veille.

TEST DE FONCTIONNEMENT DE L'AVIRON

Utilisez les instructions suivantes pour tester la résistance totale de l'aviron et pour vérifier le bon fonctionnement de la chaîne.

1. Asseyez-vous sur la machine et placez vos pieds sur les repose-pieds, effectuez doucement quelques coups de rame.
 2. Vérifiez le moniteur pour vous assurer que les chiffres changent.
 3. Poussez ou tirez le contrôle de tension de 1 à 8 et vérifiez si vous ressentez une différence dans la difficulté de la résistance.
 4. Assurez-vous que, lors de chaque coup de rame, la chaîne se rétracte complètement dans la base et qu'elle n'est pas lâche.
 5. Assurez-vous également qu'il n'y a pas de bruits inhabituels provenant de la machine et pas de balancement pendant votre entraînement.
-

4 MAINTENANCE

L'entretien doit être effectué régulièrement. La réalisation d'actions d'entretien peut contribuer à assurer un fonctionnement sûr et sans problème de tout l'équipement JLL®.

JLL® n'est pas responsable de la réalisation d'inspections et d'actions d'entretien régulières pour votre machine. Les représentants de JLL® sont disponibles pour répondre à toutes les questions que vous pourriez avoir au +44 (0)800 6123 988.

ACTIVITÉS DE MAINTENANCE PRÉVENTIVE

Chaque vélo JLL® sorti d'usine est déjà entretenu, cependant, vous devez suivre des étapes simples pour l'entretenir. Maintenir le vélo dans un état propre contribuera à prolonger sa durée de vie. Effectuez régulièrement un entretien préventif pour assurer le fonctionnement normal de l'unité. Tenez un journal de toutes les actions d'entretien pour vous aider à rester à jour avec toutes les activités de maintenance préventive. JLL® n'est pas responsable de l'inspection ou de l'entretien régulier.

Lisez toutes les instructions et avertissements figurant dans ce chapitre ainsi que dans le chapitre sur la sécurité. Contactez le service clientèle de JLL® au +44 (0)800 6123 988 pour toute préoccupation concernant l'entretien ou le service.

Exigences:

- Eau
- Chiffon sec
- Aspirateur
- Huile de lubrification

AVERTISSEMENT

1. Utilisez uniquement de l'eau pour nettoyer et dépoussiérer. N'utilisez aucun produit de nettoyage car ils pourraient endommager le vélo.
2. Faites attention à ne pas renverser ou à ne pas laisser trop d'humidité entre le bord du moniteur, car cela pourrait créer un danger électrique ou causer une défaillance des composants électroniques.
3. La pulvérisation directe pourrait endommager l'électronique et annuler la garantie.

En fonction de l'endroit où se trouve l'ergomètre, vous pouvez ressentir de l'air sec, ce qui provoque une expérience courante d'électricité statique. Vous pouvez le remarquer en marchant sur un tapis puis en touchant un objet métallique. Sur votre rameur, vous pouvez ressentir une décharge électrique due à l'accumulation d'électricité statique sur votre corps et le chemin de décharge du rameur. Si vous rencontrez ce type de situation, vous voudrez peut-être augmenter l'humidité à un niveau confortable en utilisant un humidificateur.

Vérifiez régulièrement votre machine pour la rouille. Si de la rouille commence à apparaître sur les vis, cela signifie que l'article n'est pas placé dans un environnement approprié et doit être déplacé dans une pièce plus adaptée. Toute rouille indiquera qu'il peut y avoir de l'humidité dans l'air et, par conséquent, cela pourrait avoir un impact sur l'intégrité et les performances de votre machine.

⚠ AVERTISSEMENT

1. Utilisez uniquement des pièces de rechange JLL®.
2. Gardez l'eau et les liquides éloignés des pièces électriques.
3. Si vous permettez à votre machine de rouiller, cela affectera votre garantie.

NETTOYAGE DU RAMEUR

Gardez le chemin de coulissement exempt de poussière et de débris pour un fonctionnement fluide et pour éviter les blessures. Les débris peuvent endommager les rouleaux sous la selle.

Après chaque séance d'entraînement, utilisez un chiffon propre et sec pour nettoyer la machine et les guidons afin de prévenir la corrosion. Essuyez la transpiration qui aurait pu s'écouler. Évitez de rayer l'écran en utilisant un chiffon doux.

N'utilisez pas d'agents de nettoyage abrasifs ou chimiques.

3 ÉTAPES FACILES POUR NETTOYER VOTRE RAMEUR

Recommandation (ce ne sont que des lignes directrices) :

- Utilisez un chiffon propre pour essuyer toute la machine.
- Passez l'aspirateur ou balayez le sol sous et autour du rameur pour éviter que de la poussière ne pénètre dans la machine. Un tapis de course peut aider à réduire la poussière.
- Utilisez un aspirateur ou un chiffon doux humide pour nettoyer toute la surface de la couverture de la machine. Lorsque le produit n'est pas utilisé pendant une période prolongée, il doit être plié et rangé dans un environnement approprié.

5 INFORMATIONS COMPLÉMENTAIRES

INFORMATIONS DE CONTACT

En cas de problèmes, n'hésitez pas à contacter notre service client au +44 (0)800 6123 988 ou à nous envoyer un e-mail à CONTACT@JLLFITNESS.CO.UK

Vous pouvez également visiter notre centre de support à l'adresse SUPPORT.JLLFITNESS.CO.UK pour des articles et des vidéos sur la maintenance et l'assemblage.

AVIS DE NON-RESPONSABILITÉ

- Vous devriez consulter votre médecin, docteur ou un autre professionnel de la santé avant de commencer ou de participer à l'un de nos guides d'entraînement. Il est de votre responsabilité d'évaluer votre propre santé avant de prendre part ou d'effectuer toute activité physique que vous pourriez voir associée à JLL Fitness Ltd.
- Cherchez toujours des conseils professionnels avant de modifier votre régime alimentaire ou de commencer un programme d'exercices.
- JLL Fitness Ltd décline toute responsabilité en cas de blessures ou de dommages pouvant survenir lors de l'assemblage ou de l'utilisation de cet ergomètre.
- En lisant ceci, vous assumez l'entière responsabilité de toute blessure ou modification de votre bien-être physique. Vous renoncez à tous les droits et déchargez JLL Fitness Ltd de toute responsabilité en cas de blessures ou de dommage matériels pouvant survenir en suivant nos conseils.
- Ce manuel propose des instructions spécifiques sur l'assemblage et l'entretien de votre ergomètre. Le non-respect de ces directives pourrait entraîner l'annulation de votre garantie.

DEUTSCHES BENUTZERHANDBUCH

MONTAGEANLEITUNG UND TECHNISCHE UNTERSTÜTZUNG

1. Scannen Sie den QR-Code.
2. Folgen Sie dem Link zu unserem YouTube-Kanal oder unserer Download-Seite.
3. Montieren Sie Ihre Maschine sicher.



FOLGEN SIE UNS IN DEN SOZIALEN MEDIEN!

Erhalten Sie die neuesten Produktinformationen, Schulungsinhalte
und mehr



INHALT

| | |
|----------------------------------|----|
| Explosionszeichnung | 48 |
| Teilleiste | 49 |

1. SICHERHEITSHINWEISE

| | |
|--|----|
| Sicherheitsvorkehrungen des Benutzers | 50 |
| Benutzer-Sicherheitsvorkehrungen | 51 |
| Vor der Verwendung..... | 51 |
| Während der Verwendung..... | 51 |
| Sicherheitsvorkehrungen beim Training | 51 |
| Sicherheitsvorkehrungen für die Einrichtung | 52 |
| Warnaufkleber | 53 |

2. MONTAGE

| | |
|---|----|
| Vorbereitung des Standorts | 54 |
| Diagramm | 54 |
| Inhaltsverzeichnis | 55 |
| Inhalt der Box..... | 55 |
| Werkzeugpaket..... | 56 |
| Montage des Ventus 2 | 57 |
| Auf- und Zusammenklappen des Rudergeräts | 59 |
| Einstellen der Pedale | 59 |
| Verschieben der Maschine | 60 |
| Einstellen des Widerstands | 60 |
| Konfiguration des Monitors | 61 |
| Spezifikationen des Monitors | 61 |
| Spezifikationen | 62 |

3. BETRIEB

| | |
|--|----|
| Betriebsverfahren | 63 |
| Handbuch | 63 |
| Rennen | 63 |
| Erholung | 64 |
| Funktionen | 64 |
| Testen des Rudergerätbetriebs | 64 |

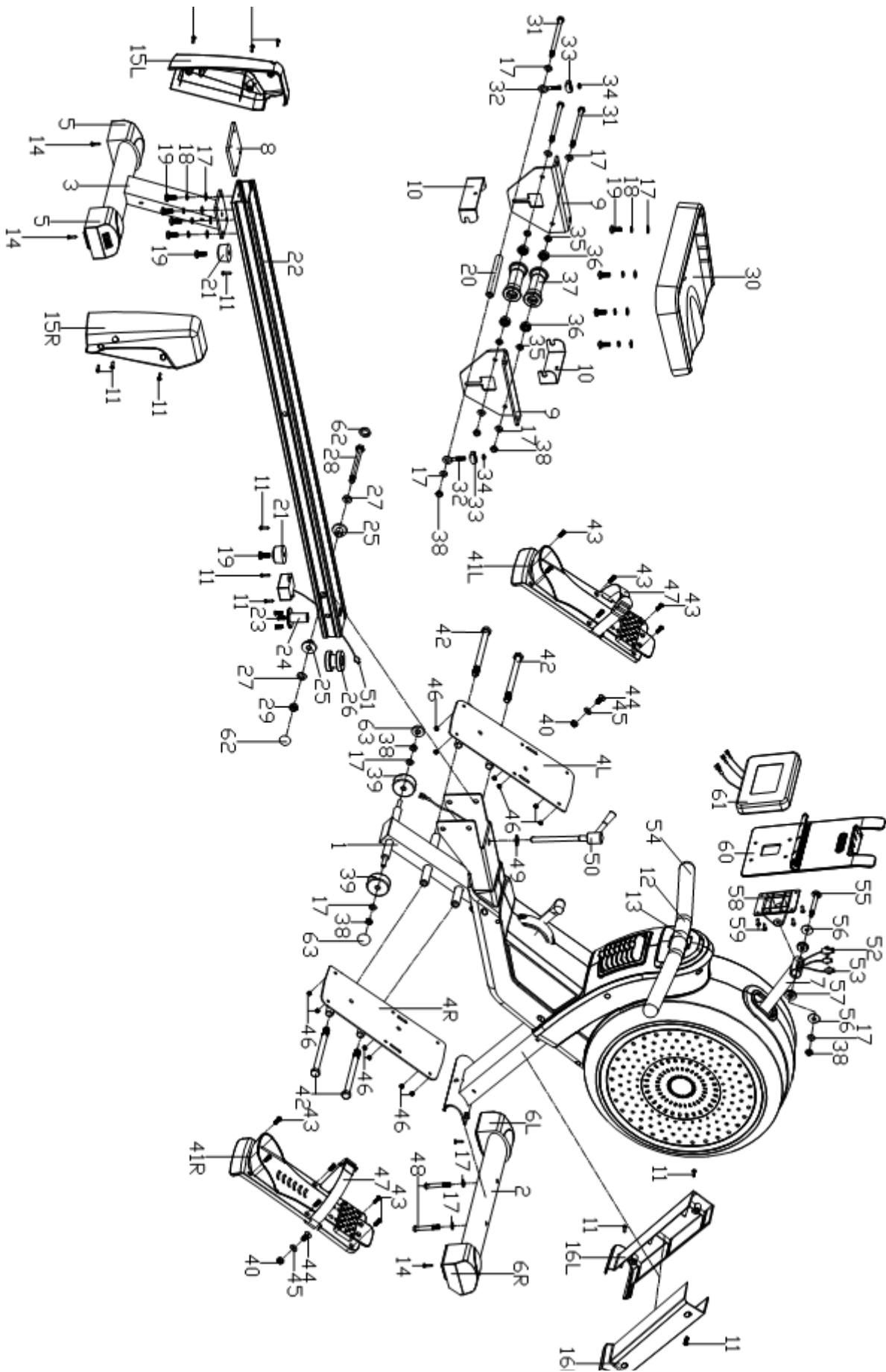
4. WARTUNG

| | |
|--|-----------|
| Präventive Wartungsaktivitäten..... | 65 |
| Reinigung des Rudergeräts..... | 66 |
| 3 einfache Schritte zur Reinigung Ihres Rudergeräts..... | 66 |

5. ZUSÄTZLICHE INFORMATIONEN

| | |
|--------------------------------|-----------|
| Kontaktdaten..... | 67 |
| Haftungsausschluss..... | 67 |

EXPLOSIONSZEICHNUNG



TEILELISTE



| NO. | Beschreibung | QTY | NO. | Beschreibung | QTY |
|-------|-------------------------------------|------|-------|--|------|
| 1 | Hauptrahmen | 1 | 33 | Verstellbare U-förmige Unterlegscheibe | 2 |
| 2 | Vorderes unteres Rohr | 1 | 34 | Nylonmutter M6 | 2 |
| 3 | Hinteres unteres Rohr | 1 | 35 | Abstandshalter für Rollenrad | 4 |
| 4 L/R | Pedal | 1 pr | 36 | Lager | 4 |
| 5 | Endkappe des hinteren unteren Rohrs | 2 | 37 | Schienenrollenrad | 2 |
| 6 L/R | Vordere Endkappe | 1 pr | 38 | Nylonmutter M8 | 6 |
| 7 | Konsolenhalterung | 1 | 39 | Rollenrad | 2 |
| 8 | Mutternplatte | 1 | 40 | Nylonmutter M8 | 2 |
| 9 | Stützbrett | 2 | 41L/R | L/R pedal | 1 pr |
| 10 | U-förmiges Brett | 2 | 42 | Außensechskantschraube M12x160 | 4 |
| 11 | Kreuzschlitzschraube ST4.2x18 | 14 | 43 | Kreuzliftschraube M5x15 | 12 |
| 12 | Lenker | 1 | 44 | Innensechskantschraube M8x20 | 2 |
| 13 | Riemen | 1 | 45 | Flache Unterlegscheibe D8x1.5 | 2 |
| 14 | Kreuzschlitzschraube ST4.2x16 | 4 | 46 | Nylonmutter M5 | 12 |
| 15L/R | Hinterere Schutzabdeckung | 1 pr | 47 | Pedalriemen | 2 |
| 16L/R | Vordere Schutzabdeckung | 1 pr | 48 | Innensechskantschraube M8x55 | 2 |
| 17 | Flache Unterlegscheibe D8x1.5 | 19 | 49 | Flache Unterlegscheibe D12x24x2 | 1 |
| 18 | Federring D8 | 8 | 50 | Pop-Pin-Knopf | 1 |
| 19 | Innensechskantschraube M8x20 | 10 | 51 | Pulsdraht | 1 |
| 20 | Abstandshalter | 1 | 52 | Verbindungskabel | 1 |
| 21 | Gummipolster | 2 | 53 | Sensorkabel | 2 |
| 22 | Schiene | 1 | 54 | Schaumgriff | 2 |
| 23 | Kreuzliftschraube M5x15 | 3 | 55 | Schlossschraube M8x74 | 1 |
| 24 | Positionierungssäule | 1 | 56 | Gummipolster 1 | 2 |
| 25 | Schienenisolierstange | 2 | 57 | Legierungsbuchse | 2 |
| 26 | Stützsäule | 1 | 58 | Festsitz | 1 |
| 27 | Flache Unterlegscheibe D10x20x2 | 2 | 59 | Kreuzliftschraube | 4 |
| 28 | Außensechskantschraube M10x112 | 1 | 60 | iPad-Halterung | 1 |
| 29 | Nylonmutter M10 | 1 | 61 | Konsole | 1 |
| 30 | Sitz | 1 | 62 | Endkappe 1 | 2 |
| 31 | Außensechskantschraube M8x125 | 3 | 63 | Endkappe 2 | 2 |
| 32 | Einstellbare Kettenschraube | 2 | | | |


1 SICHERHEITSHINWEISE

Bitte beachten Sie die folgenden Anweisungen, bevor Sie dieses Rudergerät verwenden.

SICHERHEITSVORKEHRUNGEN DES BENUTZERS

Vielen Dank, dass Sie unser Produkt gewählt haben. Um Ihre Gesundheit und Sicherheit zu gewährleisten, verwenden Sie dieses Gerät bitte wie empfohlen. Es ist wichtig, diese gesamte Anleitung vor dem Zusammenbau und der Verwendung des Geräts zu lesen. Eine sichere und effektive Nutzung ist nur dann möglich, wenn das Gerät gemäß der Anleitung zusammengebaut, gewartet und verwendet wird. Es liegt in Ihrer Verantwortung sicherzustellen, dass alle Benutzer des Geräts über alle Warnhinweise und Vorsichtsmaßnahmen informiert sind.

1. Bevor Sie mit einem Übungsprogramm beginnen, sollten Sie einen Gesundheitsfachmann konsultieren, um festzustellen, ob Sie medizinische oder physische Erkrankungen haben, die Ihre Gesundheit und Sicherheit gefährden oder Sie daran hindern könnten, das Gerät ordnungsgemäß zu verwenden. Der Rat eines Gesundheitsfachmanns ist unerlässlich, wenn Sie Medikamente einnehmen, die Ihre Herzfrequenz, Blutdruck oder Cholesterinspiegel beeinflussen.
2. Beachten Sie die Signale Ihres Körpers. Falsche oder übermäßige Bewegung kann Ihrer Gesundheit schaden. Beenden Sie das Training, wenn Sie eines der folgenden Symptome verspüren: Schmerzen, Enge in der Brust, unregelmäßiger Herzschlag, Schwindel, Benommenheit oder Übelkeitsgefühle. Wenn Sie eines dieser Symptome verspüren, sollten Sie sich vor Fortsetzung Ihres Übungsprogramms an einen Gesundheitsfachmann wenden.
3. Halten Sie Kinder und Haustiere vom Gerät fern. Das Gerät ist nur für den Gebrauch durch Erwachsene vorgesehen.
4. Verwenden Sie das Gerät auf einer festen, flachen Oberfläche mit einer Schutzabdeckung für Ihren Boden oder Teppich. Zur Gewährleistung der Sicherheit sollte um das Gerät herum mindestens 61 cm freier Raum vorhanden sein.
5. Stellen Sie sicher, dass alle Muttern und Schrauben fest angezogen sind, bevor Sie das Gerät verwenden. Die Sicherheit des Geräts kann nur gewährleistet werden, wenn es regelmäßig auf Beschädigungen und/oder Abnutzungserscheinungen überprüft wird.

- 
6. Verwenden Sie das Gerät immer wie angegeben. Wenn Sie während des Zusammenbaus oder beim Überprüfen des Geräts fehlerhafte Komponenten feststellen oder während des Trainings ungewöhnliche Geräusche hören, stellen Sie die Verwendung des Geräts sofort ein. Bitte kontaktieren Sie JLL Fitness unter 0121 328 7507, um Ratschläge zur Behebung des Problems zu erhalten.
 7. Tragen Sie geeignete Kleidung, während Sie das Gerät verwenden. Vermeiden Sie das Tragen lockerer Kleidung, die sich im Gerät verfangen kann.
 8. Stecken Sie keine Finger oder Gegenstände in die beweglichen Teile des Geräts.
 9. Die maximale Gewichtskapazität dieses Geräts beträgt 120 kg.
 10. Um Körperverletzungen und/oder Schäden am Produkt oder Eigentum zu vermeiden, stellen Sie sicher, dass Sie sichere Verfahren zum Anheben und Bewegen des Artikels befolgen.
 11. Ihr Produkt ist für den Einsatz in kühlen, trockenen Umgebungen vorgesehen. Sie sollten die Lagerung in extrem kalten, heißen oder feuchten Bereichen vermeiden, da dies zu Korrosion und anderen damit verbundenen Problemen führen kann.
 12. Dieses Gerät ist ausschließlich für den Einsatz im Innenbereich im privaten Gebrauch vorgesehen und nicht für den gewerblichen Gebrauch bestimmt.

BENUTZER-SICHERHEITSVORKEHRUNGEN

VOR DER VERWENDUNG

- Montieren Sie den Ruderer gemäß der Bedienungsanleitung.
- Konsultieren Sie vor Beginn eines Trainingsprogramms Ihren Arzt.
- Lesen Sie die Anweisungen.
- Lesen Sie Warnhinweise.
- Lesen Sie die Verfahren für den Notstopp.
- Maximales Benutzergewicht beträgt 120kg/ 18.8 St.
- Inspeziere Sie das Gerät. Wenn es beschädigt ist, VERWENDEN SIE ES NICHT.
- Stellen Sie sicher, dass alle Schrauben und Muttern fest angezogen sind.

WÄHREND DER VERWENDUNG

- NICHT zum Dehnen verwenden und KEINE Riemen oder andere Geräte anbringen.
- Lassen Sie Kinder im Alter von 12 Jahren oder jünger NICHT auf oder in der Nähe des Geräts.
- Beenden Sie das Training, wenn Sie sich benommen fühlen, Schwindel verspüren oder Schmerzen haben.
- Halten Sie alle Kleidung und Accessoires fern von beweglichen Teilen.

SICHERHEITSVORKEHRUNGEN BEIM TRAINING

- Tragen Sie Sportkleidung und Turnschuhe.
 - Dieses Modell ist ausschließlich für den Heimgebrauch vorgesehen, NICHT für kommerzielle Zwecke verwenden.
-

SICHERHEITSVORKEHRUNGEN FÜR DIE EINRICHTUNG

- BETREIBEN Sie diese Maschine NICHT an feuchten oder nassen Orten.
- Seien Sie vorsichtig beim Aufsteigen und Absteigen von der Rudermaschine.
- Überprüfen Sie die Ruder-Maschine auf abgenutzte oder lockere Teile vor jeder Verwendung. VERWENDEN Sie die Maschine NICHT, bis verschlissene oder beschädigte Teile ausgetauscht wurden.
- Warten Sie die Maschine regelmäßig. Siehe Kapitel zur vorbeugenden Wartung.
- VERWENDEN Sie die Rudermaschine NICHT, wenn: (1) die Maschine nicht ordnungsgemäß funktioniert oder (2) die Rudermaschine fallen gelassen oder beschädigt wurde.
- VERWENDEN Sie die Rudermaschine NICHT im Freien.
- Lesen Sie die Bedienungsanleitung vollständig, bevor Sie den Rudergerät verwenden.
- Stellen Sie sicher, dass alle Benutzer geeignetes Schuhwerk auf JLL®-Geräten tragen.
- Richten Sie das Rudergerät auf einer ebenen Fläche ein und betreiben Sie es. BETREIBEN Sie es NICHT an kleinen, eingeschränkten Orten oder auf flauschigem Teppich.
- Stellen Sie, wenn möglich, die folgenden Freiräume zur Verfügung: 0,5 m auf jeder Seite und 2 m hinten. Achten Sie darauf, dass Ihre Maschine von Wänden, Geräten und anderen harten Oberflächen frei ist.
- ÄNDERN Sie das Gerät NICHT auf irgendeine Weise. Jede Änderung führt zum Verlust der Garantie.
- Alle auf dem Monitor angezeigten Daten dienen nur zu Referenzzwecken.

Warnaufkleber weisen auf eine potenziell gefährliche Situation hin, die, wenn sie nicht vermieden wird, zu Tod oder schweren Verletzungen führen könnte. Lesen Sie die folgenden Vorsichts- und Warnhinweise sorgfältig durch, bevor Sie das Gerät verwenden.

WARNUNG

BERÜHREN Sie während des Gebrauchs keine beweglichen Teile.

Kinder und Haustiere müssen jederzeit von der Maschine ferngehalten werden.

Stellen Sie sicher, dass der Sicherungstift an seinem Platz ist, bevor Sie das Rudergerät verwenden.

Angemessene Kleidung MUSS während des Trainings getragen werden.

Bitte konsultieren Sie einen Arzt oder Gesundheitsexperten, bevor Sie ein Trainings- oder Gesundheitsprogramm beginnen.

WARNUNG

Achten Sie darauf, die Verbindungskabel beim Zusammenklappen oder Auseinanderklappen des Rudergeräts nicht einzuklemmen.

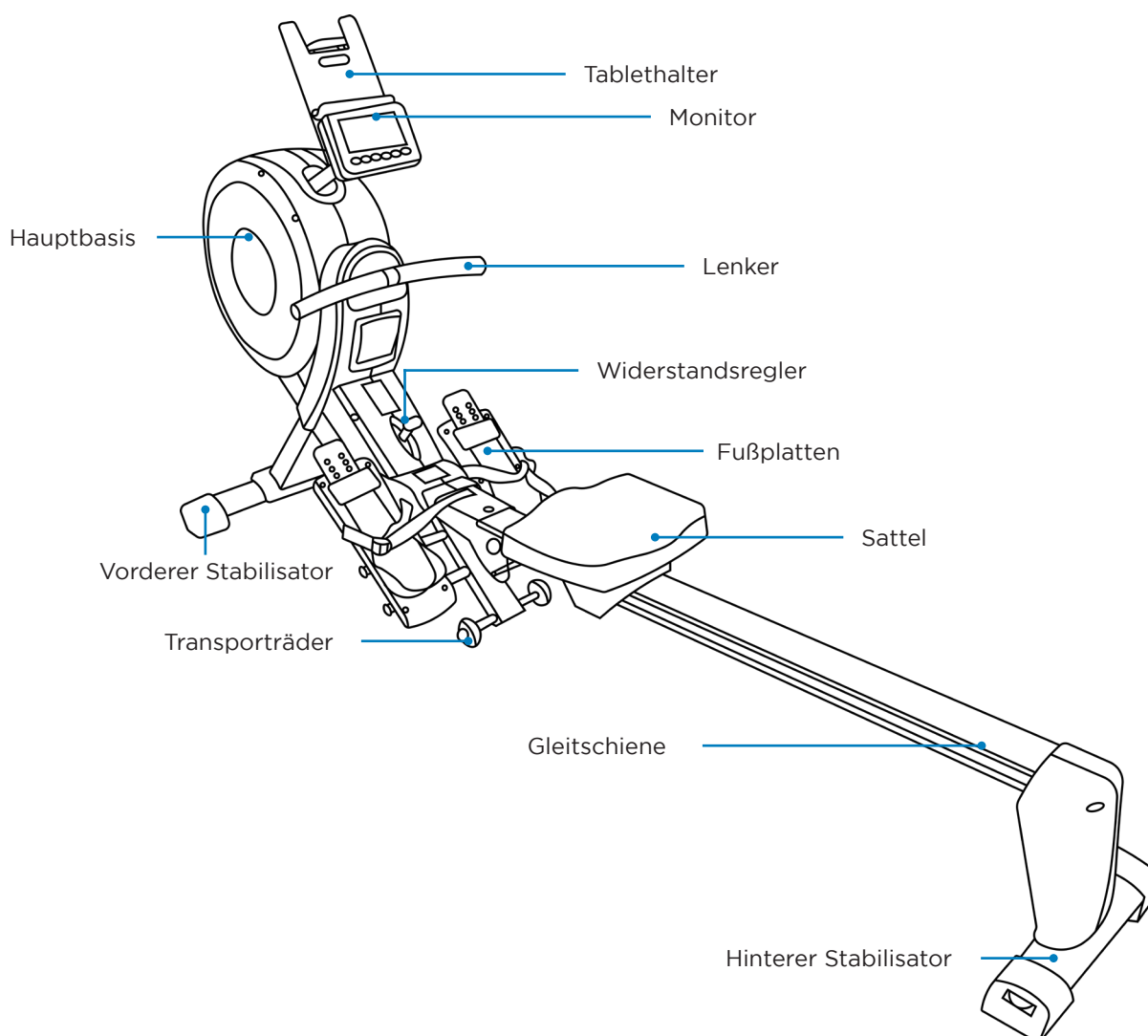
2 MONTAGE

SITEVORBEREITUNG

Um den idealen Standort für dieses Rudergerät zu finden, stellen Sie sicher, dass:

- Der Bereich gut beleuchtet und gut belüftet ist.
- Die Oberfläche eben ist.
- Genügend Platz vorhanden ist, um auf das Gerät zuzugreifen und im Notfall abzustiegen. Wenn möglich, halten Sie die folgenden Abstände ein: 0,5 m auf jeder Seite und 2 m hinten.
- Das Rudergerät in einer Umgebung mit einer relativen Luftfeuchtigkeit von 30-50% aufgestellt ist. Stellen Sie sicher, dass die Temperatur konstant gehalten wird. Verwenden Sie es nicht in einer feuchten oder nassen Umgebung, da dies die Integrität und Leistung des Geräts beeinträchtigen kann.

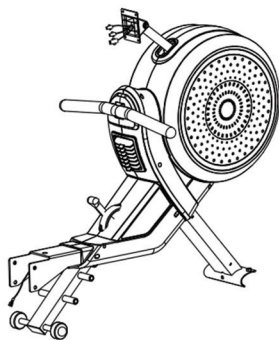
DIAGRAM



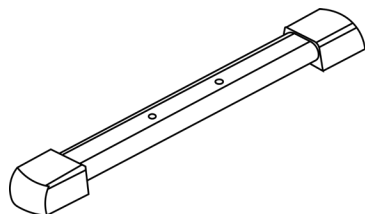


Siehe das Diagramm auf der vorherigen Seite und die Inhaltsliste unten für den Inhalt der Rudergerät-Box. Siehe das Kapitel Kundenservice für Kontaktinformationen, falls Teile fehlen.

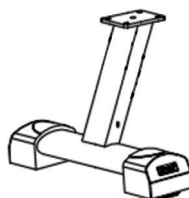
BOXINHALT



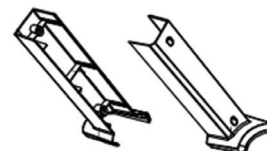
Rudergerät-Hauptbasis



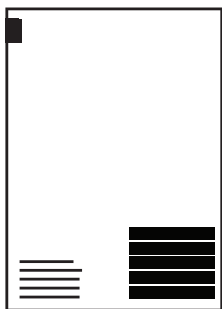
Vorderer Stabilisator



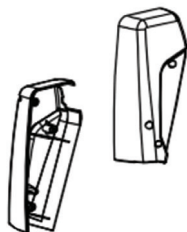
Hinterer Stabilisator



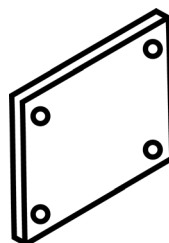
Vordere Schutzabdeckungen



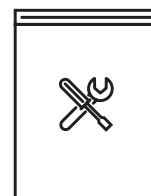
Handbuch



Hintere Schutzabdeckungen



Mutternplatte
x1



Werkzeugpaket



Fußplatten



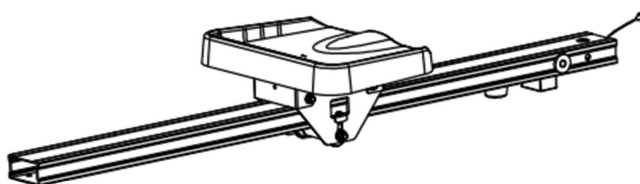
Tablethalter



Monitor

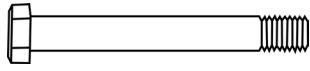


Gummikissen
x1

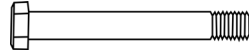


Gleitschiene

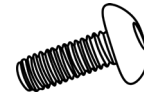
WERKZEUGPAKET



M12 Sechskantbolzen
x4



M10 Sechskantbolzen
x1



M8 Innensechskantschraube
x4



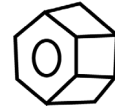
Federstift
x1



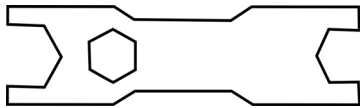
Federring
x4



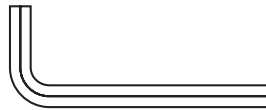
Flache Unterlegscheibe
x6



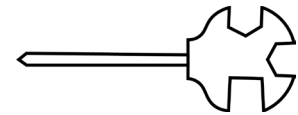
M10 Nylonmutter
x1



Schraubenschlüssel
x2



Innensechskantschlüssel
x1

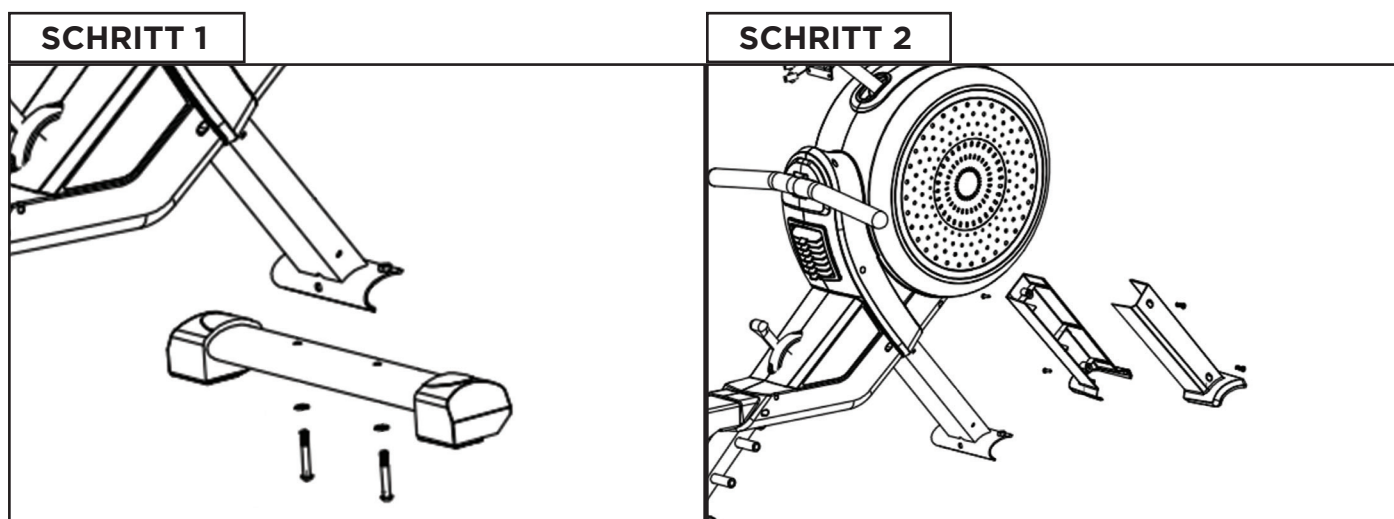


Multifunktionswerkzeug
x1

VENTUS 2 MONTAGE

Das Rudergerät wurde in der Fabrik montiert und getestet, daher sollten Sie keine Probleme haben, alle Teile zusammenzufügen. Die Komponenten sind so konzipiert, dass sie perfekt zusammenpassen, und für den Montageprozess sind nur grundlegende Werkzeuge erforderlich. In der Verpackung finden Sie ein Werkzeugpaket (Inbusschlüssel, Schraubenschlüssel, Unterlegscheiben und Schrauben). Siehe vorherige Seite.

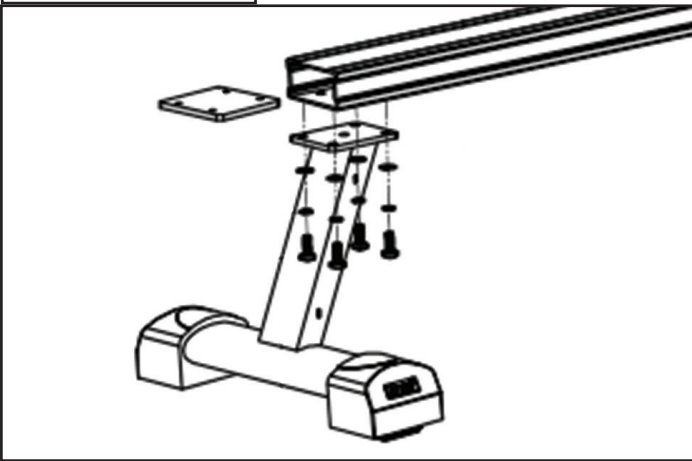
Um Ihr JLL VENTUS 2 zusammenzubauen, folgen Sie bitte diesen einfachen Schritten:



Befestigen Sie den vorderen Stabilisator an der Hauptbasis mit zwei M8 Innensechskantschrauben und flachen Unterlegscheiben. Bitte beachten Sie: Sie müssen diese Schrauben zuerst von dem schützenden Kunststoffteil entfernen.

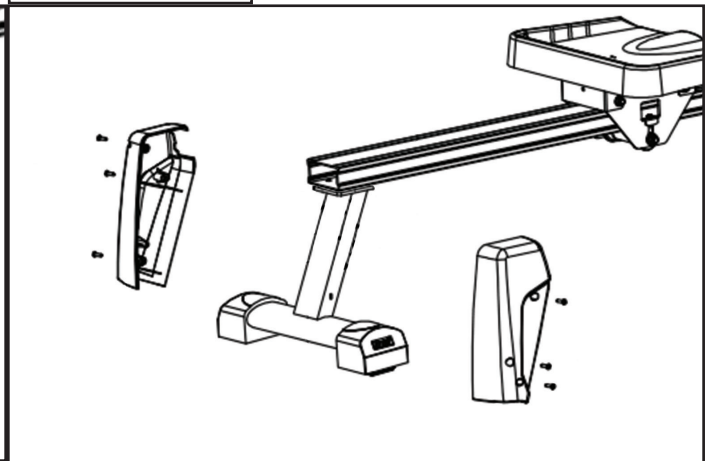
Befestigen Sie die vorderen Schutzabdeckungen über dem vorderen Stabilisatorrahmen mit vier Schrauben, die sich bereits in der Basis befinden.

SCHRITT 3



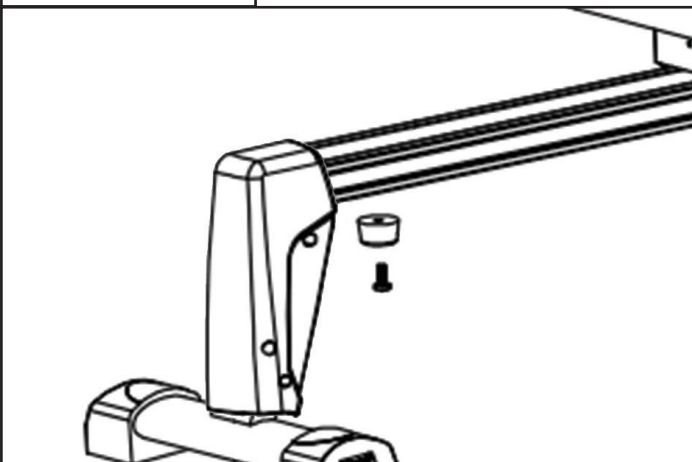
Führen Sie anschließend die Mutterplatte in die Gleitschiene ein und richten Sie die Löcher aus. Befestigen Sie dann den hinteren Stabilisator an der Gleitschiene mit vier M8 Innensechskantschrauben, Federringen und flachen Unterlegscheiben aus Ihrem Werkzeugset.

SCHRITT 4



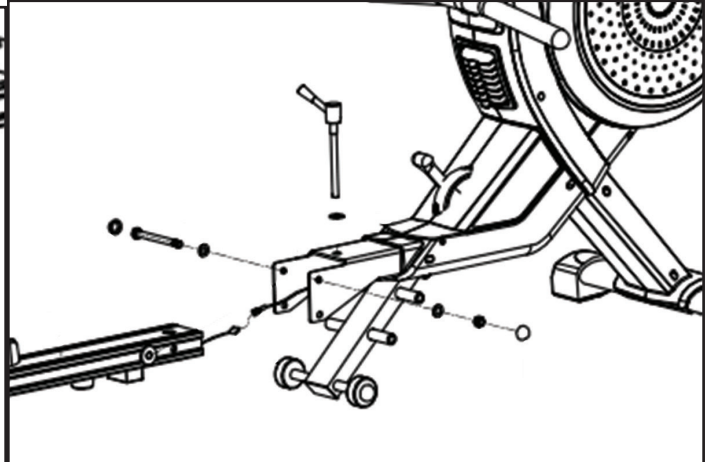
Befestigen Sie die rechten und linken Schutzabdeckungen am hinteren Stabilisator mit sechs Schrauben, einige befinden sich im Rahmen und einige halten bereits die Abdeckungen zusammen.

SCHRITT 5



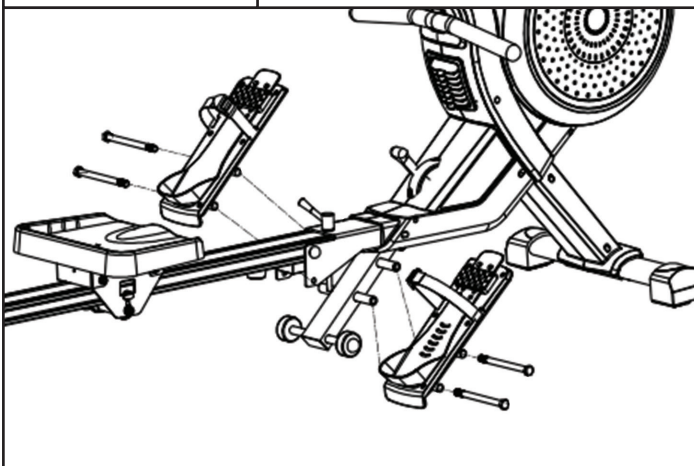
Befestigen Sie das Gummikissen mit einer Innensechskantschraube an der Unterseite der Gleitschiene.

SCHRITT 6



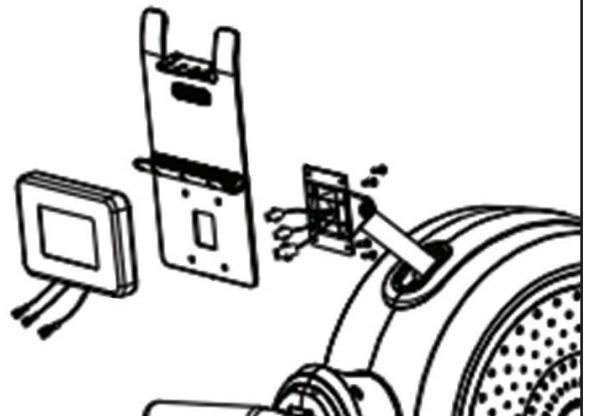
Verbinden Sie das Sensorkabel von der Gleitschiene mit der Hauptbasis und sichern Sie die beiden Teile mit einem M10 Außensechskantbolzen, einer flachen Unterlegscheibe und einer Nylonmutter aus Ihrem Werkzeugset. Verriegeln Sie dann schließlich die Gleitschiene mit dem Federstiftknopf und einer flachen Unterlegscheibe.

SCHRITT 7



Befestigen Sie die Fußplatten mit jeweils zwei M12 Außensechskantbolzen an der Basis, diese finden Sie in Ihrem Werkzeugset.

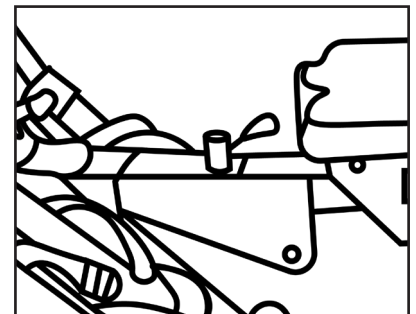
SCHRITT 8



Verbinden Sie die Kabel vom Monitor durch die Tablethalterung mit der Monitorhalterung. Befestigen Sie den Monitor und die iPad-Halterung mit den vier Schrauben, die sich bereits im Monitor befinden, an der Basis.

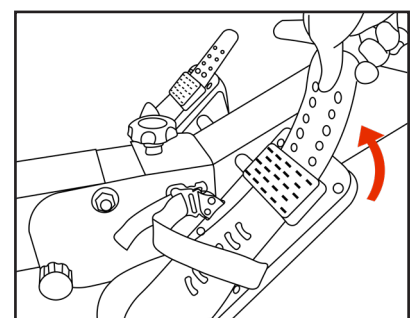
KLAPPEN UND ENTKLAPPEN DES RUDERGERÄTS

Wenn das Rudergärät nicht benutzt wird, können Sie Platz sparen, indem Sie die Gleitschiene zusammenklappen. Schrauben Sie den großen Zugstift oben an der Verbindung ab und ziehen Sie ihn aus dem Gerät heraus. Heben Sie die Gleitschiene an und befestigen Sie den Zugstift wieder entlang der Seite der Gleitschiene, indem Sie die Locher in der Basis mit der Gleitschiene ausrichten.



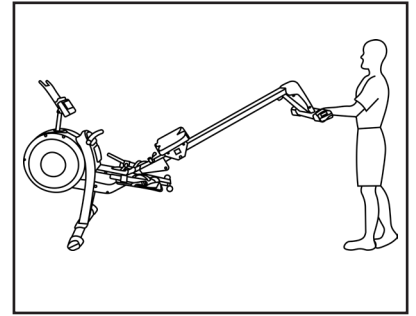
DAS ANPASSEN DER PEDALE

Die Lange der Fuplatte kann durch Ziehen des Kunststoffschiebers nach vorne angepasst werden, bis er von den Stiften gelost ist. Schieben Sie die Fuplatte nach oben oder unten auf die gewunschte Lange, richten Sie die Locher aus und drucken Sie sie zuruck in die Stifte. Es gibt sechs Stufen zur Auswahl.



DIE MASCHINE BEWEGEN

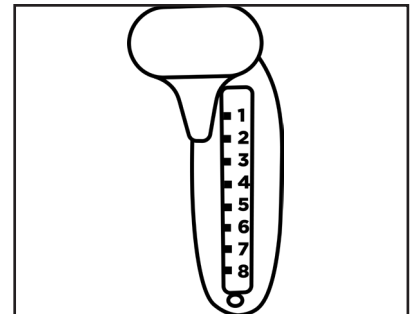
Diese Maschine kann sowohl im zusammengeklappten als auch im ausgeklappten Zustand transportiert werden. Es gibt zwei Sätze Transporträder, einen am vorderen Stabilisator und den anderen unter der Gleitschiene. Wenn das Rudergerät ausgeklappt ist, heben Sie den hinteren Stabilisator an, bis die Vorderräder den Boden berühren. Wenn das Gerät zusammengeklappt ist, neigen Sie es nach vorne, bis die zweite Reihe Räder unter der Gleitschiene den Boden berührt.

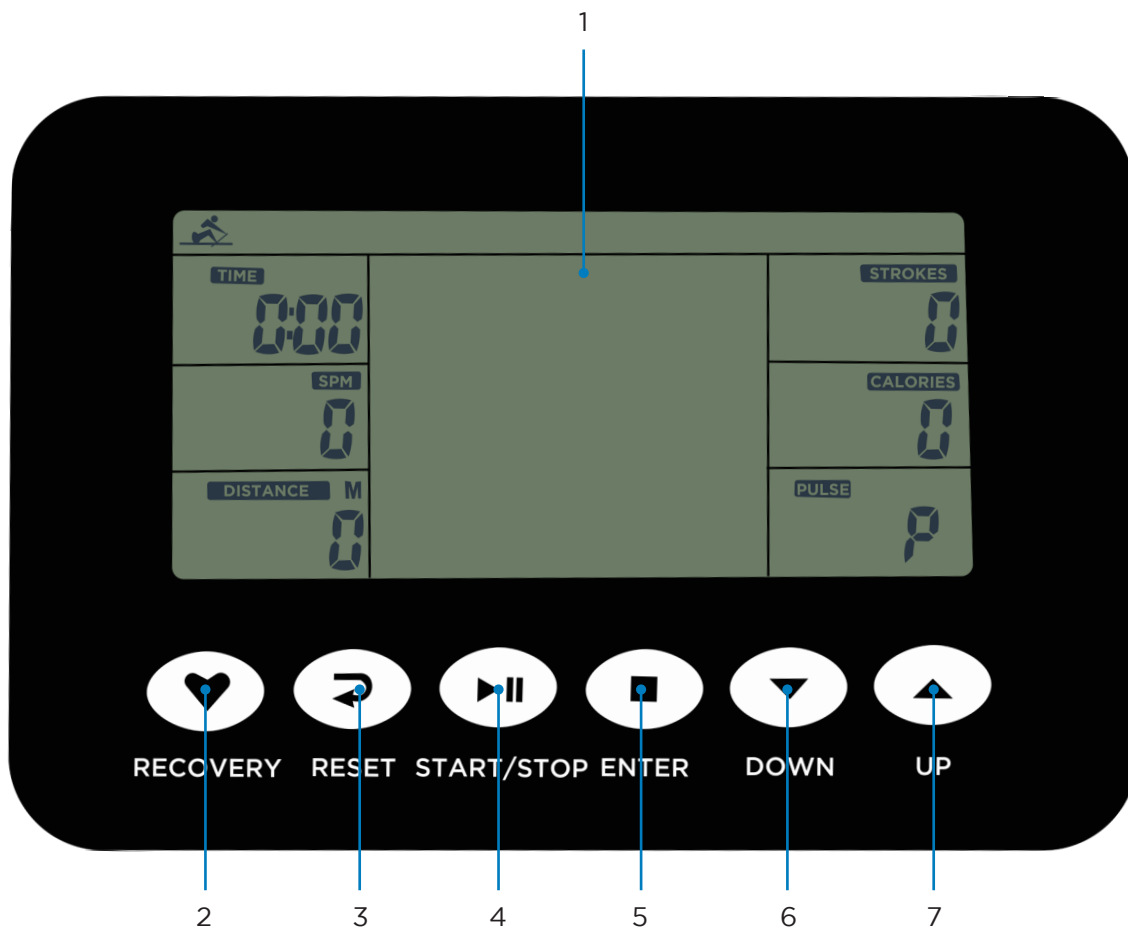


DIE WIDERSTANDSEINSTELLUNG

Drücken oder ziehen Sie den Spannregler nach oben oder unten, um den Widerstandsgrad zu erhöhen oder zu verringern.

Stufe 1 ist die niedrigste und Stufe 8 die höchste.





| | | | |
|----------|--------------------|----------|-------------------|
| 1 | LCD-Anzeige | 2 | Erholungstaste |
| 3 | Zurücksetzen-Taste | 4 | Start/Stopp-Taste |
| 5 | Eingabetaste | 6 | Runter-Taste |
| 7 | Hoch-Taste | | |

MONITOR-SPEZIFIKATIONEN

| | |
|------------------------------|-----------------------|
| Zeit..... | 00:00 - 99:59 MIN:SEC |
| Zeit 500M..... | 00:00 - 99:59 MIN:SEC |
| Schlag..... | 0 - 9999 |
| Kalorien..... | 0.0 - 999.9 |
| Distanz..... | 0.0 - 999.9 |
| Schläge pro Minute..... | 0 - 9999 |
| Gesamtanzahl der Schläg..... | 0 - 9999 |
| Puls..... | 0 - 240 |
| Temperatur..... | 0°C |
| Kalender..... |year, month, day |
| Uhr..... |00:00 |

SPEZIFIKATIONEN

| | |
|----------------------------------|---|
| Anzeige | LCD-Monitor: Zeit, Zeit 500M, Kalorien, Distanz, Schläge, Schläge pro Minute (SPM), Puls, Gesamtanzahl der Schläge, Datum, Uhr, Kalender und Temperatur |
| Stauraum | Klappbar und mit zwei Sätzen integrierter Transporträder ausgestattet. |
| Widerstand | Luftwiderstand kombiniert mit 8 Stufen magnetischen Widerstands |
| Batterie | 2 x AA |
| Sattel | Schaumgefüllter Sitz mit freier Bewegung auf und ab der Gleitschiene. |
| Pedale | Breite Plattformpedale |
| Lenker | Schaumgepolsterte Griffe |
| Farbe | Schwarz und Rot |
| Länge der Gleitschiene | 86 cm |
| Maximales Benutzergewicht | 120kg |
| Belegter Bereich | 214 cm (Länge) x 54 cm (Breite) x 115 cm (Höhe) |
| Gefalteter Bereich | 115 cm (Länge) x 54 cm (Breite) x 142 cm (Höhe) |
| Verpackungsmaße | 108 cm (Länge) x 91.5 cm (Breite) x 28 cm (Höhe) |
| Bruttogewicht | 39.5kg |
| Nettogewicht | 34.7kg |

3 BETRIEB



BETRIEBSVERFAHREN

Auto An/Aus: Der Monitor schaltet sich ein, wenn Sie mit dem Rudern beginnen oder eine Taste drücken. Der Monitor schaltet sich nach 4 Minuten Inaktivität aus.

Wenn der Monitor eingeschaltet wird, zeigt das LCD-Display alle Segmente für 1 Sekunde an.

Zuerst müssen Sie das Jahr (im Abschnitt Schläge), den Monat (im Abschnitt Kalorien) und den Tag (im Abschnitt Puls) eingeben. Nachdem Sie dies bestätigt haben, ertönt der Alarm. Drücken Sie die UP-Taste, um das EIN/AUS des Alarms einzustellen. Wenn das Alarmsymbol nicht angezeigt wird, drücken Sie ENTER. Wenn die Alarmanzeige eingeschaltet ist, können Sie die Alarmzeit einstellen (auf die gleiche Weise, wie Sie das Datum einstellen). Drücken Sie dann ENTER, damit das Sportsymbol in der oberen linken Ecke angezeigt wird. MANUAL und RACE blinken und sind zur Auswahl bereit. Drücken Sie UP oder DOWN, um eines auszuwählen, und drücken Sie dann ENTER, um zu bestätigen.

HANDBUCH

Sobald Sie in den manuellen Modus gewechselt sind, drücken Sie die UP-Taste, um die Zeit einzustellen. Diese wird blinken. Sobald Sie Ihre Zielzeit eingestellt haben, drücken Sie ENTER, um zu bestätigen. DISTANZ - SCHLÄGE - KALORIEN - PULS - ZEIT können alle auf ein spezifisches Ziel eingestellt werden, jedoch können mehrere Funktionen während eines Workouts nicht gleichzeitig eingestellt werden (z.B. wenn eine Zielzeit eingestellt wurde, kann keine Zieldistanz eingestellt werden).

Drücken Sie die START/STOP-Taste, um zu beginnen. Das STOP-Symbol wird verschwinden und Sie können UP oder DOWN drücken, um Funktionen auszuwählen. Wenn die spezifische Funktion auf null heruntergezählt hat oder Sie die START/STOP-Taste gedrückt haben, stoppt der Monitor und zeigt den Durchschnittswert an.

RENNEN

Sobald Sie den RACE-Modus mit den vorherigen Schritten aktiviert haben, wird L1 blinken und die ZEIT 500M kann mit 8:00 angezeigt werden. Verwenden Sie die UP- oder DOWN-Tasten, um L1-L15 auszuwählen, und drücken Sie ENTER, um zu bestätigen. Danach können Sie die Distanz des Rennens einstellen (500m - 10000m), der Distanzabschnitt sollte blinken. Drücken Sie ENTER und das Bild des Rennens wird im mittleren Segment angezeigt. Die Werte der ZEIT 500M sind:

| | | | | |
|-----------|-----------|-----------|------------|------------|
| L1 - 8:00 | L4 - 6:30 | L7 - 5:00 | L10 - 3:30 | L13 - 2:00 |
| L2 - 7:30 | L5 - 6:00 | L8 - 4:30 | L11 - 3:00 | L14 - 1:30 |
| L3 - 7:00 | L6 - 5:30 | L9 - 4:00 | L12 - 2:30 | L15 - 1:00 |

Drücken Sie die START/STOP-Taste und das STOP-Symbol wird verschwinden. Das Rennausgangsbild des Monitors und Sie selbst werden in der Mitte angezeigt, der Monitor stoppt, wenn Sie die Zieldistanz des Rennens erreicht haben. PC GEWINNT oder BENUTZER GEWINNT wird angezeigt. Wenn das Rennen abgeschlossen ist, können Sie START/STOP drücken, um das Rennen erneut zu starten.

ERHOLUNG

Nach einer gewissen Trainingszeit, wenn Sie einen Brustgurt tragen, drücken Sie ERHOLUNG. Alle Funktionen stoppen außer der Zeit, die dann von 60 Sekunden herunterzählt. Der Bildschirm zeigt dann Ihren Herzfrequenz-Erholungsstatus mit F1-F6 an, wobei F1 der beste und F6 der schlechteste ist. Drücken Sie erneut die ERHOLUNG-Taste, um zur Hauptanzeige zurückzukehren.

FUNKTIONEN

ZEIT: Zählt die Dauer Ihres Trainings.

ZEIT 500M: Berechnet Ihre durchschnittliche 500-Meter-Zeit. Teilt sich das gleiche Segment wie die Zeit.

SCHLÄGE: Zählt die während Ihres Trainings absolvierten Schläge.

KALORIEN: Zählt die geschätzten verbrannten Kalorien während des Trainings.

SCHLÄGE PRO MINUTE: Zeigt die durchschnittlichen Schläge pro Minute an.

DISTANZ: Zeigt die während Ihres Trainings zurückgelegte Strecke in Metern an.

PULS: Zeigt Ihre aktuelle Herzfrequenz während des Trainings an. Die Pulsmessung funktioniert nur mit einem Brustgurtsystem.

KALENDER: Der Monitor zeigt Jahr, Monat und Tag an, wenn der Monitor im Ruhezustand ist.

TEMPERATUR: Der Monitor zeigt die aktuelle Raumtemperatur an, wenn der Monitor im Ruhezustand ist.

UHR: Der Monitor zeigt die aktuelle Uhrzeit an, wenn er im Ruhezustand ist.

TESTEN DER RUDERBETRIEB

Verwenden Sie die folgenden Anweisungen, um den vollen Widerstand des Rudergeräts zu testen und das Seil auf ordnungsgemäßen Betrieb zu überprüfen:

1. Setzen Sie sich auf das Gerät und platzieren Sie Ihre Füße auf den Fußplatten. Führen Sie sanft einige Ruderschläge aus.
 2. Überprüfen Sie den Monitor, um sicherzustellen, dass sich die Zahlen ändern.
 3. Drehen Sie den Spannungsreglerknopf von 1 auf 10 und prüfen Sie, ob sich der Schwierigkeitsgrad des Widerstands ändert.
 4. Stellen Sie sicher, dass das Seil während jeder Bewegung vollständig in die Basis zurückgezogen wird und nicht locker ist.
 5. Achten Sie auch darauf, dass während Ihres Trainings keine ungewöhnlichen Geräusche aus dem Gerät kommen und keine Wackler auftreten.
-

4 WARTUNG



Es muss regelmäßig Wartung durchgeführt werden. Die Durchführung von Wartungsmaßnahmen kann dazu beitragen, einen sicheren und störungsfreien Betrieb aller JLL®-Geräte zu gewährleisten.

JLL® ist nicht für die regelmäßige Inspektion und Wartung Ihres Geräts verantwortlich. Vertreter von JLL® stehen zur Verfügung, um alle Fragen zu beantworten, die Sie unter +44 (0)800 6123 988 haben könnten.

VORBEUGENDE WARTUNGSMASSNAHMEN

Die Pflege des Rudergeräts in einem sauberen Zustand wird dazu beitragen, seine Lebensdauer zu verlängern. Führen Sie regelmäßige vorbeugende Wartungsarbeiten durch, um den normalen Betrieb des Geräts sicherzustellen. Führen Sie ein Protokoll aller Wartungsmaßnahmen, um aktuell über alle vorbeugenden Wartungsaktivitäten informiert zu bleiben. JLL® ist nicht für regelmäßige Inspektionen oder Wartungsarbeiten verantwortlich.

Lesen Sie alle Anweisungen und Warnungen, die sowohl in diesem Kapitel als auch im Sicherheitskapitel aufgeführt sind. Kontaktieren Sie den JLL® Kundenservice unter +44 (0)800 6123 988 bei Fragen zu Wartung oder Service.

Anforderungen:

- Wasser
- Trockenes Tuch
- Staubsauger
- Schmieröl

WARNUNG

1. Verwenden Sie ausschließlich Wasser zum Reinigen und Entstauben. Verwenden Sie keine Reinigungsprodukte, da sie das Rudergerät beschädigen können.
2. Achten Sie darauf, kein Wasser zu verschütten oder übermäßige Feuchtigkeit zwischen den Rand des Displaypanels zu bekommen, da dies eine elektrische Gefahr darstellen oder einen Ausfall der Elektronik verursachen könnte.
3. Direktes Sprühen könnte zu Schäden an der Elektronik führen und die Garantie ungültig machen.

Abhängig davon, wo das Rudergerät aufgestellt ist, kann es zu trockener Luft kommen, was zu einem häufigen Erlebnis von statischer Elektrizität führen kann. Dies kann beispielsweise durch das Laufen über einen Teppich und anschließendes Berühren eines metallischen Objekts bemerkt werden. Auf Ihrem Rudergerät können Sie einen Schock erleben, der durch die Ansammlung von statischer Elektrizität auf Ihrem Körper und dem Ableitungspfad des Rudergeräts verursacht wird. Falls Sie eine solche Situation erleben, können Sie die Luftfeuchtigkeit durch die Verwendung eines Luftbefeuchters auf ein angenehmes Niveau erhöhen.

Überprüfen Sie Ihr Gerät regelmäßig auf Rost. Wenn Rost an den Schrauben auftritt, bedeutet dies, dass das Gerät nicht in der richtigen Umgebung untergebracht ist und in einen geeigneteren Raum verschoben werden sollte. Jeglicher Rost deutet darauf hin, dass möglicherweise Feuchtigkeit in der Luft vorhanden ist und dies die Integrität und Leistung Ihres Geräts beeinträchtigen könnte.

⚠️ WARNUNG

1. Verwenden Sie ausschließlich Ersatzteile von JLL®.
2. Halten Sie Wasser und Flüssigkeiten von elektrischen Teilen fern.
3. Wenn Sie Ihr Gerät rosten lassen, hat dies Auswirkungen auf Ihre Garantie.

ROWER-REINIGUNG

Halten Sie die Gleitschiene frei von Staub und Schmutz, um einen reibungslosen Betrieb zu gewährleisten und Verletzungen vorzubeugen. Schmutz kann die Rollen unter dem Sattel beschädigen.

Nach jedem Training verwenden Sie ein sauberes, trockenes Tuch, um das Gerät und die Griffstangen zu reinigen, um Korrosion zu verhindern. Wischen Sie Schweißspuren ab, die möglicherweise abgetropft sind. Vermeiden Sie es, das Display mit einem weichen Tuch zu zerkratzen.

Verwenden Sie keine scheuernden oder chemischen Reinigungsmittel.

3 EINFACHE SCHRITTE ZUR REINIGUNG IHRES RUDERGERÄTS

Empfehlungen (diese dienen nur als Richtlinie):

- Verwenden Sie ein sauberes Tuch, um das gesamte Gerät abzuwischen.
- Staubsaugen oder kehren Sie den Boden unter und um das Rudergerät herum, um zu verhindern, dass Staub in das Gerät gelangt. Eine Laufbandmatte kann helfen, Staub zu reduzieren.
- Verwenden Sie einen Staubsauger oder ein weiches feuchtes Tuch, um den gesamten Bereich des Geräts abzudecken. Wenn das Produkt über einen längeren Zeitraum nicht verwendet wird, sollte es zusammengeklappt und an einem geeigneten Ort aufbewahrt werden.

5 ZUSÄTZLICHE INFORMATIONEN



KONTAKTDATEN

Für den Fall, dass Probleme auftreten, zögern Sie bitte nicht, unser Kundenserviceteam unter +44 (0)800 6123 988 zu kontaktieren oder senden Sie uns eine E-Mail an CONTACT@JLLFITNESS.CO.UK.

Sie können auch unser Support-Center unter SUPPORT.JLLFITNESS.CO.UK für Wartungs- und Montageartikel sowie Videos besuchen.

HAFTUNGSAUSSCHLUSS

- Konsultieren Sie unbedingt Ihren Arzt oder einen anderen Gesundheitsdienstleister, bevor Sie mit einem unserer Trainingsleitfäden beginnen oder daran teilnehmen. Es liegt in Ihrer Verantwortung, Ihre eigene Gesundheit zu bewerten, bevor Sie an körperlichen Aktivitäten teilnehmen oder solche durchführen, die mit JLL Fitness Ltd in Verbindung stehen.
- Suchen Sie immer professionellen Rat, bevor Sie Ihre Ernährung ändern oder ein Trainingsprogramm beginnen.
- JLL Fitness Ltd haftet nicht für Verletzungen oder Schäden, die beim Zusammenbau oder Gebrauch dieses Rudergeräts auftreten können.
- Durch das Lesen dieses Textes übernehmen Sie die volle Verantwortung für etwaige Verletzungen oder Veränderungen Ihres körperlichen Wohlbefindens. Sie verzichten auf alle Rechte und entbinden JLL Fitness Ltd von jeglicher Schuld für Verletzungen oder Sachschäden, die beim Befolgen unserer Ratschläge auftreten können.
- Dieses Handbuch enthält spezifische Anweisungen zur Montage und Pflege Ihres Rudergeräts. Das Nichtbefolgen dieser Anweisungen kann dazu führen, dass Ihre Garantie ungültig wird.

WWW.JLLFITNESS.CO.UK

Follow us on Facebook and Twitter [@JLLFitness](#)

© JLL Fitness Ltd . All Rights Reserved.