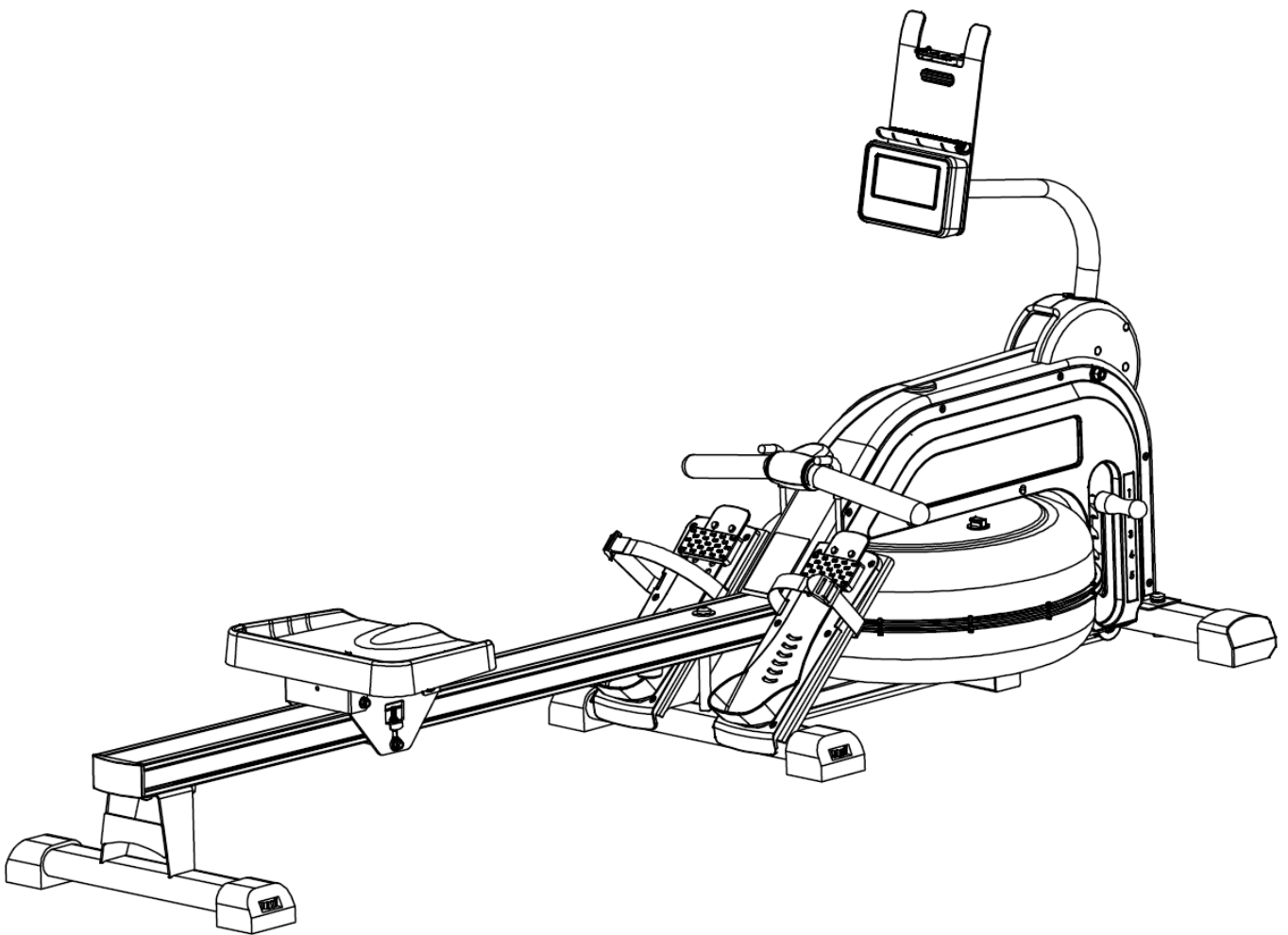


AQUA 1 HYDRO ROWER

INSTRUCTION MANUAL



ENGLISH USER MANUAL

ASSEMBLY INSTRUCTIONS AND TECHNICAL SUPPORT

1. Scan the QR Code
2. Follow the link to either our YouTube channel or our downloads page.
3. Safely assembly your machine



FOLLOW US ON SOCIAL MEDIA!

Get the latest product information, training content and more.



CONTENTS



Exploded diagram.....	5
Parts list.....	6
1. SAFETY INSTRUCTIONS	
<hr/>	
Important safety information.....	7
User safety precautions.....	8
Prior to use.....	8
During use.....	8
Exercise safety precautions.....	8
Facility safety precautions.....	8
Warning stickers.....	9
2. ASSEMBLY	
<hr/>	
Preparing the site.....	10
Diagram.....	10
Content listing.....	11
Box contents.....	11
Tools pack.....	12
Aqua 1 assembly.....	13
3. OPERATION	
<hr/>	
Testing the rower operation.....	15
Filling the tank.....	15
Adjusting the pedals.....	15
Moving the machine.....	16
Adjusting the resistance.....	16
Monitor configuration.....	17
Monitor specifications.....	17
Functions.....	18
Operation procedures.....	18
Manual.....	18
Race.....	19
Recovery.....	19
Specifications.....	20

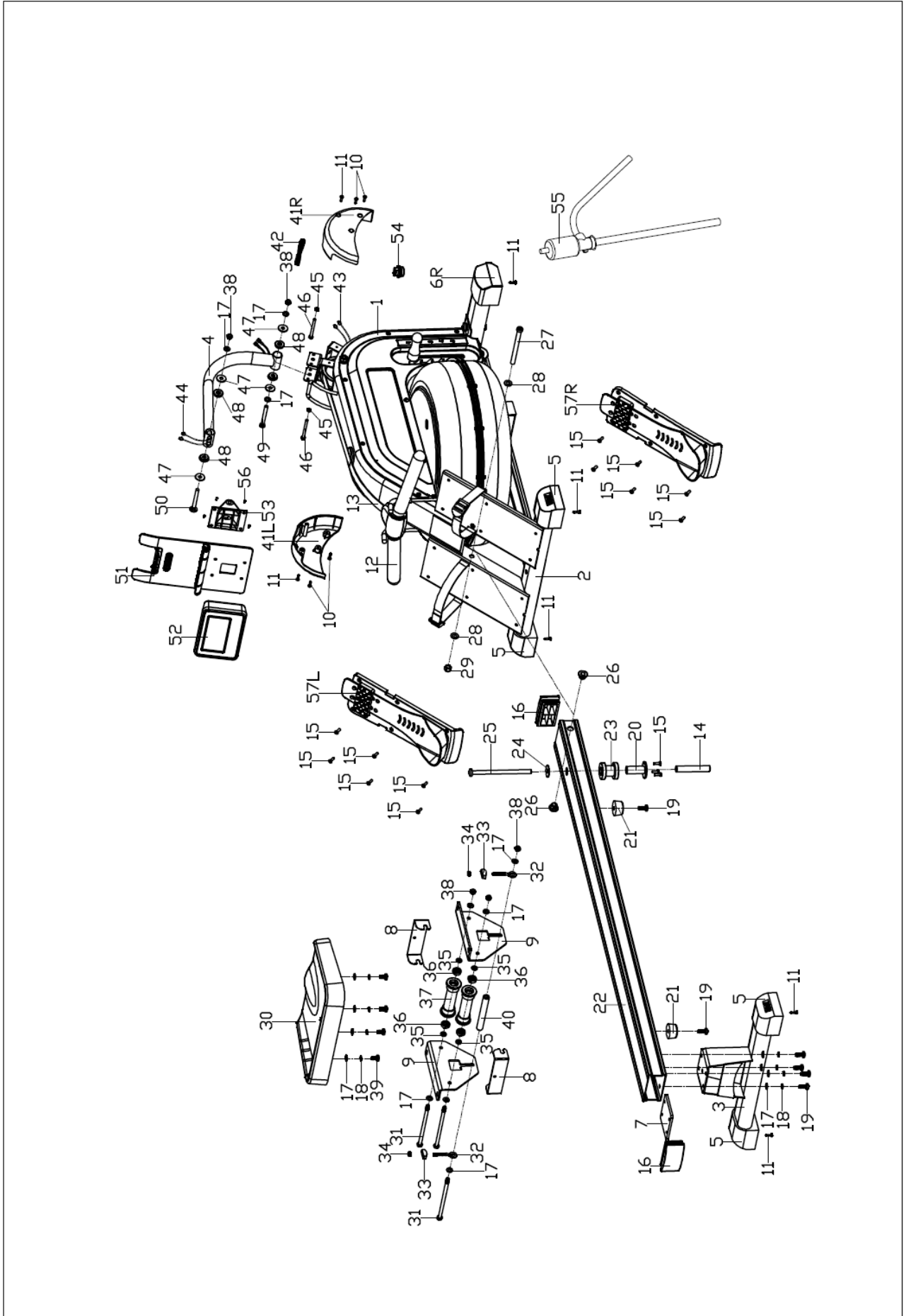
4. MAINTENANCE

Preventive maintenance activities	21
Water purification	22
Rower cleaning	22
3 easy steps to clean your rower.....	23

5. ADDITIONAL INFORMATION

Contact information	24
Disclaimer	24

EXPLODED DIAGRAM



PARTS LIST

NO.	Description	QTY	NO.	Description	QTY
1	Main frame combination	1	30	Saddle	1
2	Pedestal combination	1	31	Hexagon bolt M8x145	3
3	Rear stabilizer combination	1	32	Adjustable bolt	2
4	Swing tube combination	1	33	U-shaped washer	2
5	Rear stabilizer end cap	4	34	Nylon nut M6	2
6 L/R	Front end cap	Pr1	35	Rail wheels bushing	4
7	Board	1	36	Bearing	4
8	U baffle plate	2	37	Rail roller	2
9	Left support frame	2	38	Nylon nut M8	5
10	Cross head screw M5x10	4	39	Hexagon bolt M8x16	4
11	Cross pan head screw ST4.2x18	8	40	Bushing	1
12	Handlebar	1	41 L/R	Wheels protective cover	Pr1
13	Braid	1	42	Seal ring	1
14	Bushing	1	43	Sensor wire	2
15	Cross head screw M5x15	15	44	Extension wire	2
16	Square tube end cap	2	45	Hexagon nut M6	2
17	Flat washer D8x1.5	17	46	Hexagon bolt M6x65	2
18	Spring washer D8	8	47	Cushion 1	4
19	Hexagon bolt M8x20	6	48	Alloy bushing	4
20	Registration mast	1	49	Hexagon bolt M8x70	1
21	Cushion	2	50	Square screw M8x74	1
22	Guide rail	1	51	Ipad shelf	1
23	Strengthen pillar	1	52	Display	1
24	Flat washer D10xD23x2	1	53	Fixed base	1
25	Hexagon Bolt M10x165	1	54	Hole plug	1
26	Alloy bushing	2	55	Plastic pump	1
27	Hexagon socket cap screws M10x125	1	56	Cross head screw	4
28	Flat washer D10x2	2	57 L/R	Paddle combination	Pr1
29	Nylon nut M10	1			

1 SAFETY INSTRUCTIONS

Please pay attention to the following instructions before operating this rowing machine.

IMPORTANT SAFETY INFORMATION

Thank you for choosing our product. To ensure your health and safety, please use this equipment as advised. It is important to read this entire manual before assembling and using the equipment. Safe and effective use can only be achieved if the equipment is assembled, maintained and used in accordance to the manual. It is your responsibility to ensure that all users of the equipment are informed of all warnings and precautions.

1. Before starting any exercise program, you should consult a health professional to determine if you have any medical or physical conditions that could put your health and safety at risk or prevent you from using the equipment properly. A health professional's advice is essential if you are taking medication that affects your heart rate, blood pressure or cholesterol level.
2. Be aware of your body's signals. Incorrect or excessive exercise can damage your health. Stop exercising if you experience any of the following symptoms: pain, tightness in your chest, irregular heartbeat, light-headedness, dizziness or feelings of nausea. If you do experience any of these conditions, you should consult a health professional before continuing with your exercise program.
3. Keep children and pets away from the equipment. The equipment is designed for adult use only.
4. Use the equipment on a solid, flat level surface with a protective cover for your floor or carpet. To ensure safety, the equipment should have at least 2 feet (61 cm) of free space all around it.
5. Ensure that all nuts and bolts are securely tightened before using the equipment. The safety of the equipment can only be maintained if it is regularly examined for damage and/or wear and tear.
6. Always use the equipment as indicated. If you find any defective components while assembling or checking the equipment, or if you hear any unusual noises coming from the equipment during exercise, discontinue use of the equipment immediately. Please contact JLL Fitness on 0121 328 7507 for advice on how to resolve the issue.
7. Wear suitable clothing while using the equipment. Avoid wearing loose clothing that may become entangled in the equipment.
8. Do not place fingers or objects into the moving parts of the equipment.

9. The maximum weight capacity of this unit is 150 kg.
10. To avoid bodily injury and/or damage to the product or property, ensure to follow safe procedures for lifting and moving the item.
11. Your product is intended for use in cool, dry conditions. You should avoid storage in extreme cold, hot or damp areas as this may lead to corrosion and other related problems.
12. This equipment is designed for indoor home use only, it is not intended for commercial use.

USER SAFETY PRECAUTIONS

PRIOR TO USE

- Assemble the rower according to the instruction manual.
- Consult your doctor before beginning any exercise program.
- Read instructions.
- Read warning labels.
- Read emergency stop procedures.
- Maximum user weight is 150 kg, 23.62 St or 330 lb.
- Inspect unit. If damaged, DO NOT USE.
- Ensure every bolt and screw is securely tightened.

DURING USE

- DO NOT use for stretching and DO NOT attach straps or other devices.
- DO NOT allow children aged 12 or younger to be on or near the machine.
- Stop exercising if you feel faint, dizzy, or encounter pain.
- Keep all clothing and accessories clear of moving parts.

EXERCISE SAFETY PRECAUTIONS

- Use sports clothes and gym shoes.
- This model should only be used at home, DO NOT use for commercial purposes.

FACILITY SAFETY PRECAUTIONS

- DO NOT operate this machine in damp or wet locations.
 - Use caution when getting on or off the rower.
 - Check the rowing machine for worn or loose components before each use. DO NOT use until worn or damaged parts are replaced.
 - Maintain regularly. Refer to *Preventive Maintenance* chapter.
 - DO NOT use the rower if: (1) the machine is not working adequately or (2) the rower has been dropped or damaged.
 - DO NOT use the rower outdoors.
-



- Read the instruction manual completely before using the rower.
- Ensure all users wear appropriate footwear on JLL® equipment.
- Set up and operate the rowing machine on a level surface. DO NOT operate in small restricted areas or on plush carpet.
- As far as possible provide the following clearances: 0.5 m at each side and 2 m at the back. Be sure your machine is clear of walls, equipment and other hard surfaces.
- DO NOT modify the unit in any way. Any modifications will void the warranty.
- All the data displayed by the monitor is for reference purposes only.

WARNING STICKERS

Warning stickers indicate a potentially hazardous situation which, if not avoided, could result in death or serious injury. Carefully read the following caution and warning labels before using the unit.

WARNING

DO NOT touch any moving parts during use.

Children and pets must be kept away from machine at all times.

Appropriate clothing **MUST** be worn whilst exercising.

Please consult a doctor or health professional before undertaking any exercise or health regime.

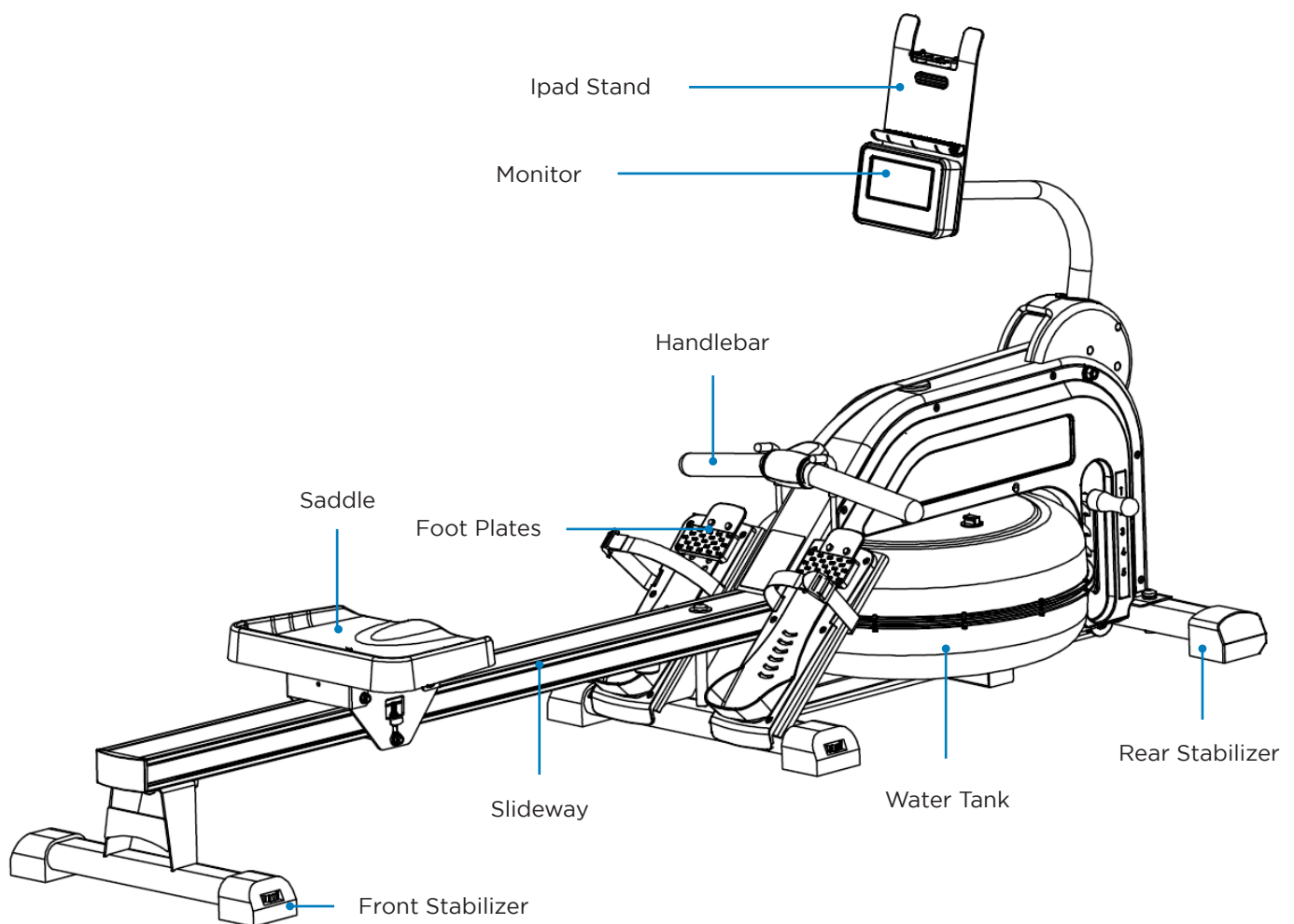
2 ASSEMBLY

PREPARING SITE

To find the ideal location to set up this rowing machine, ensure that:

- Area is well illuminated and well ventilated.
- Surface is level.
- There is enough space to access the unit and emergency dismount. If it is possible, keep the following clearances: 0.5 m at each side and 2 m at the back.
- The rowing machine is placed in an environment with a relative humidity range of 30-50%. Please ensure the temperature is kept constant. Do not use in a moist or damp environment as this may impact on the integrity and performance of the machine.

DIAGRAM

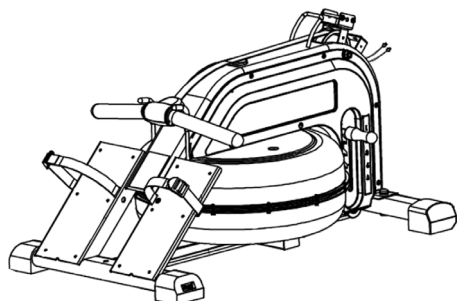


CONTENT LISTING

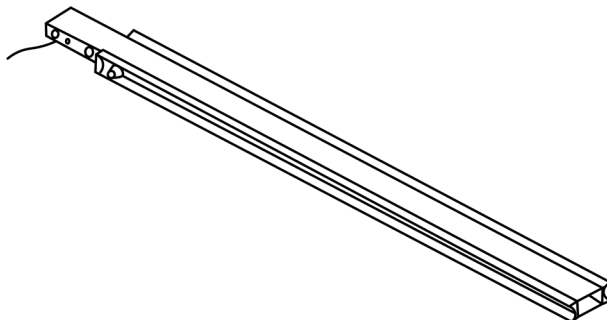


See diagram (previous page) and content listing (below) for rower box contents. See *Customer Service* chapter for contact information if any parts are missing.

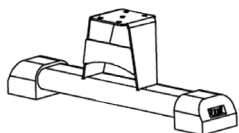
BOX CONTENTS



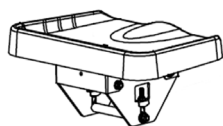
Rower Main Base



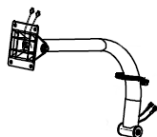
Slideway



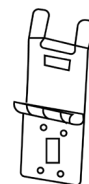
Rear Stabilizer



Saddle



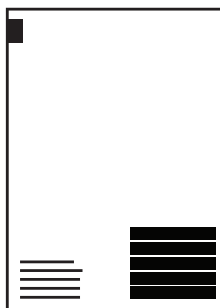
Monitor Arm



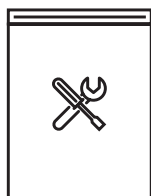
Ipad Stand



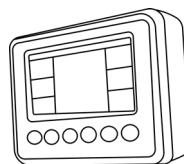
Protective Covers



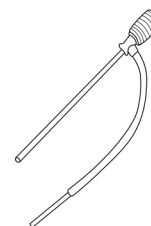
Manual



Tools Pack²



Monitor



Pump

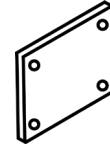
TOOLS PACK



Cross Head Screw
M5X10
x4



Cross Head Screw
ST4.2X18
x2



Nut Plate
x1



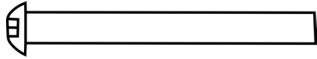
M8x20
Hexagon Bolt
x4



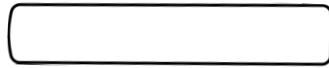
Spring Washer
x4



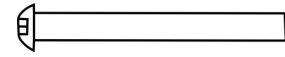
Flat
Washer
x4



M10x165 Hexagon Bolt
x1



Alloy Bushing
x1



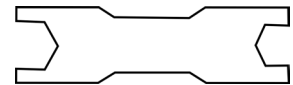
M10x125 Hexagon Socket
Cap Screw
x1



7mm Hex Allen Key
x1



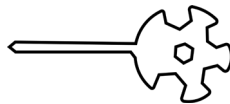
Water Purification
Tablets
x1



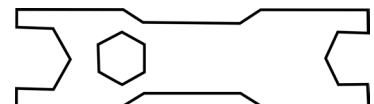
Small Hex Spanner
x2



9mm Hex Allen Key
x1



Multi-Tool
x1



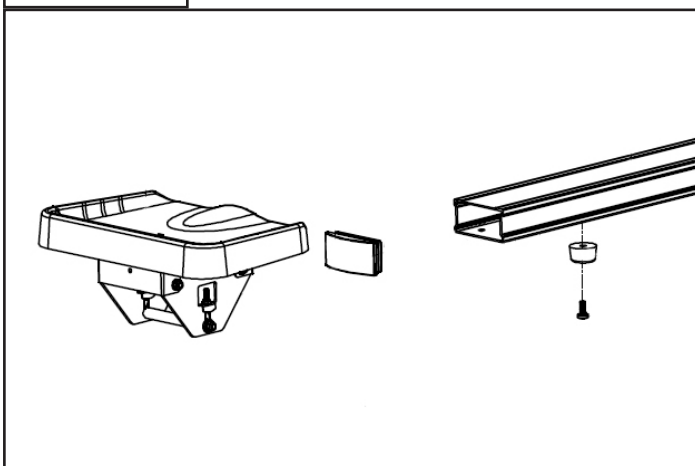
Large Hex Spanner
x1



The rower has been assembled and tested at the factory, so you shouldn't have any problems putting all the parts together. Components are designed to fit together, and only basic tools are required for the assembly process. Inside the box you will find a Tools Pack (Hex Allen Key, Spanner, Washers and Bolts). See previous page.

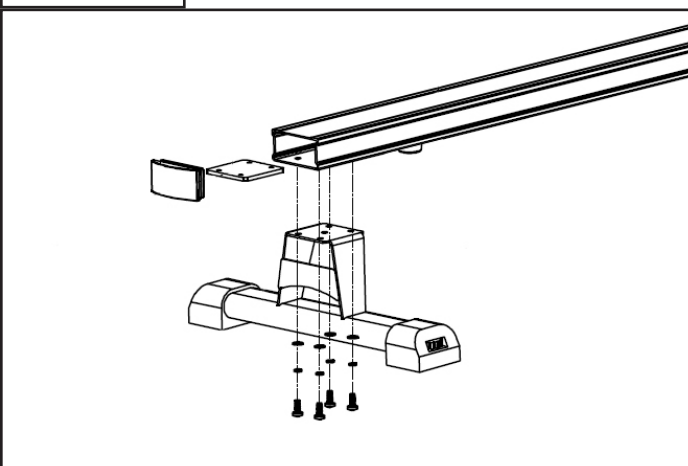
To assemble your JLL Aqua 1 please follow these easy steps:

STEP 1



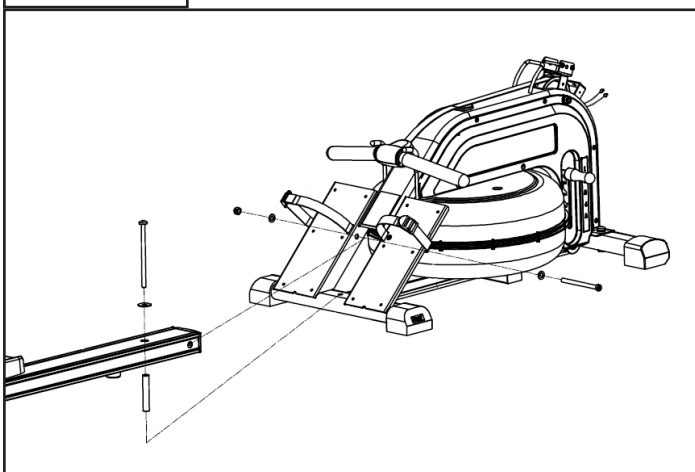
Remove the rubber cushion and end cap from the slideway, attach the saddle and secure the rubber cushion back on.

STEP 2



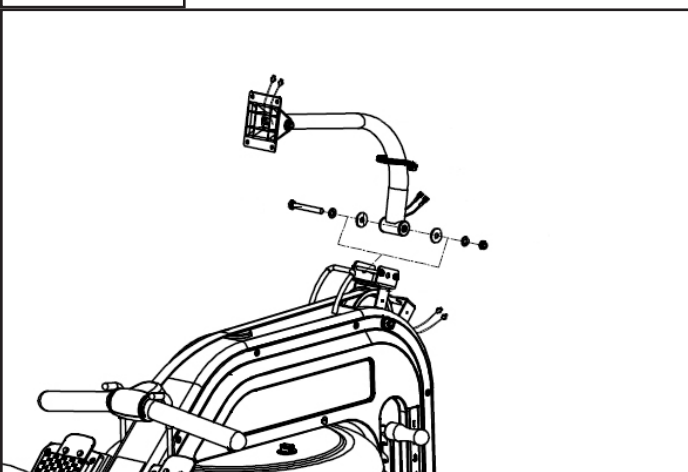
Place the nut plate into the slideway and align the holes, secure the stabiliser to the slideway using four bolts and washers. Then reattach the end cap.

STEP 3

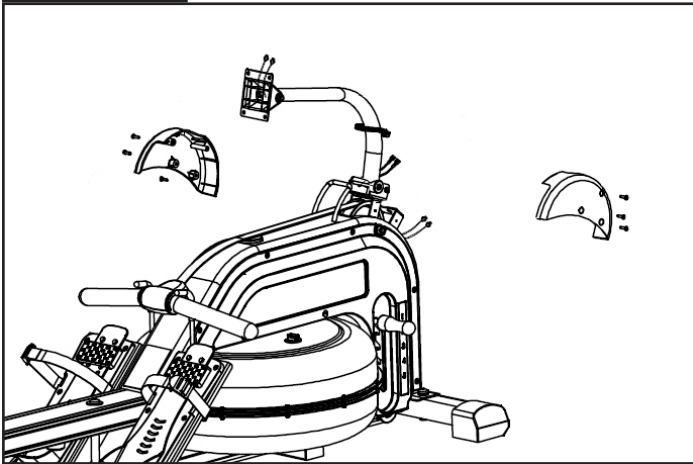


Attach the slideway to the main base using a large hex bolt, flat washer and nylon nut. (Behind the foot plates) Then secure using a large Allen head bolt, flat washer and bushing through the top of the slideway.

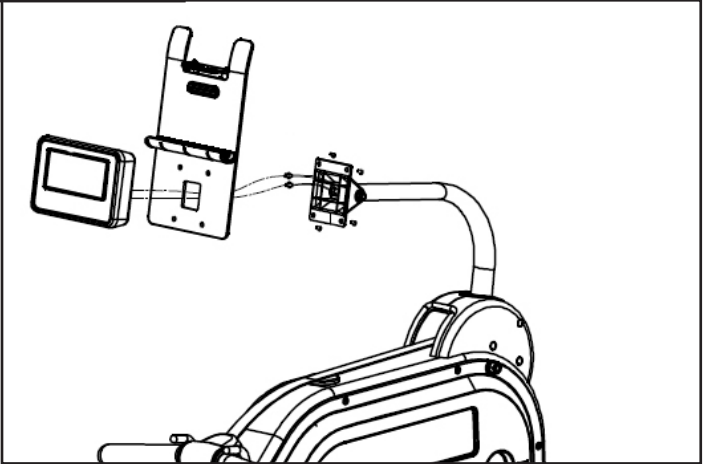
STEP 4



Secure the monitor arm to the main base using a hex bolt, flat washers and nylon nut. Then connect the sensor wires from the base to the monitor arm.

STEP 5

Next, add the protective covers around the arm making sure they fit into the seal ring. Use three screws on each side.

STEP 6

Lastly, remove the screws from the back of the monitor and feed the wires from the monitor through the Ipad stand and connect to the wires from the arm. Then secure the monitor and stand to the arm using the screws previously removed.

3 OPERATION



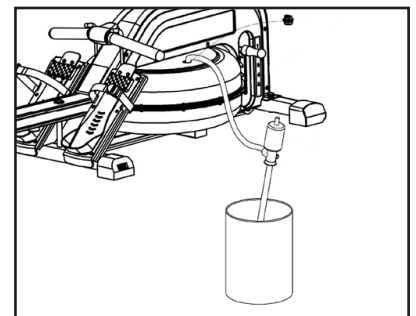
TESTING THE ROWER OPERATION

Use the following instructions to test the full resistance of the rower and to check the chord for proper operation.

1. Sit on the machine and place your feet on the foot plates, gently complete a few strokes.
2. Check the monitor to make sure the digits are changing.
3. Pull down the elastic resistance handle at the back of the base and check to feel a difference in the difficulty of resistance.
4. As you are performing each stroke make sure the belt is retracting fully into in the base and is not slack.
5. Also make sure there are no unusual noises coming from the machine and no wobble during your workout.

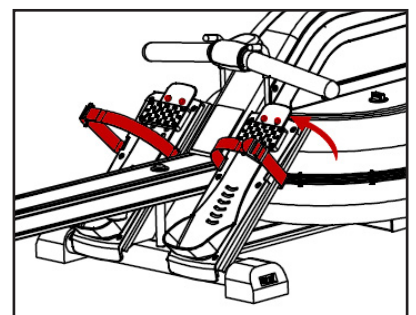
FILLING THE TANK

Pop out the hole plug on top of the tank.
insert the flexible end of the pump into the hole and
insert the rigid end into a container of water.
Squeeze the pump to filter water in and fill to the
level gauge.



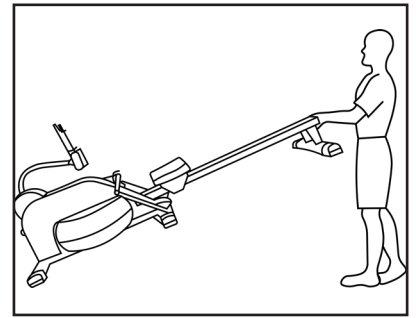
ADJUSTING THE PEDALS

The pedal foot length can be adjusted to fit the
users size. Lift the top lip until it pops out of the two
raised plugs then slide to your desired length.
To tighten, pull on the end of the pedal strap.



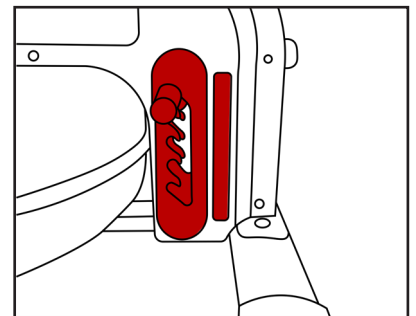
MOVING THE MACHINE

To move the machine, lift up from the stabilizer until the transport wheels on the opposite stabilizer touch the ground. With the wheels on the ground, you can transport the rower to the desired location with ease.



ADJUSTING THE RESISTANCE

To adjust the elastic resistance grab the handles on both sides of the machine and either slot it up or down into the hooks. Make sure to move both sides at the same time.





1	LCD display	2	Recovery Button
3	Reset Button	4	Start/Stop Button
5	Enter Button	6	Down Button
7	Up Button		

MONITOR SPECIFICATIONS

Time.....	00:00 - 99:59 MIN:SEC
Time 500M.....	00:00 - 99:59 MIN:SEC
Stroke.....	0 - 9999
Calorie.....	0.0 - 999.9
Distance.....	0.0 - 999.9
Strokes Per Minute.....	0 - 9999
Total Strokes.....	0 - 9999
Pulse.....	0 - 240
Temperature.....	0°C
Calendar.....	...year, month, day
Clock.....	00:00

FUNCTIONS

TIME: Counts the duration of your workout.

TIME 500M: Calculates your average 500 meter time. Shares the same segment as time.

STROKES: Counts the strokes completed during your workout.

CALORIE: Counts the estimated calories burnt while exercising.

STROKES PER MINUTE: Displays the average strokes per minute.

DISTANCE: Displays the distance covered in meters throughout your workout.

PULSE: Displays your current heart rate during your workout. The pulse measurement will only function with a chest belt system.

CALENDAR: The monitor will display year, month and day when the monitor is asleep.

TEMPERATURE: The monitor will display current room temperature when the monitor is asleep.

CLOCK: The monitor will display the current time when it is asleep.

OPERATION PROCEDURES

Auto On/Off: The monitor will turn on when you start rowing or by pressing any button. The monitor will turn off after being inactive for 4 minutes.

When the monitor is powered on, the LCD display will show all the segments for 1 second.

Firstly, you will need to enter the Year (within the Strokes section), the Month (within the Calories section) and the Day (within the Pulse section). After you confirm this, the alarm will sound off.

Press the UP button to set the ON/OFF which is the sign of the alarm.

If the alarm symbol does not display press ENTER, when the alarm display is on you can set the time of the alarm (the same way in which you set the date).

Next press ENTER so that the sport symbol in the top left corner is showing, the MANUAL and RACE will blink ready to be selected. Press UP or DOWN to select either one and then press ENTER to confirm.

MANUAL

Once entered into the manual mode, press UP to set the time, this will be flickering.

Once you have set your target time press ENTER to confirm it. DISTANCE - STROKES - CALORIES - PULSE - TIME can all be set to a specific target however, multiple functions cannot be set during one workout. (e.g. if a target time has been set then a target distance can't also be set)

Press the START/STOP key to begin, the STOP icon will disappear and you can press UP or DOWN to select functions. When the specific function has counted down to zero or you have pressed the START/STOP button the monitor will stop and display the average figure.

RACE



Once you have entered into the RACE mode using the previous steps, the L1 will flash and the TIME 500M may display with 8:00. Use the UP or DOWN buttons to select L1-L15 and press ENTER to confirm. After, you can set the distance of the race (500m - 10000m), the distance section should be flashing. Press ENTER and the image of the race will display on the centre segment. The figures of TIME 500M are;

L1 - 8:00	L4 - 6:30	L7 - 5:00	L10 - 3:30	L13 - 2:00
L2 - 7:30	L5 - 6:00	L8 - 4:30	L11 - 3:00	L14 - 1:30
L3 - 7:00	L6 - 5:30	L9 - 4:00	L12 - 2:30	L15 - 1:00

Press the START/STOP button and the STOP icon will disappear. The monitors race character and yourself will show in the centre, the monitor will stop when you have reached the target distance of the race. PC WIN or USER WIN will be shown.

When the race has been completed, you can press START/STOP to repeat the race again.

RECOVERY

After exercising for a period of time, if you are wearing a chest strap press RECOVERY. All functions will stop except for time, this will start counting down from 60 seconds. The screen will then display your heart rate recovery status with F1-F6, F1 being the best and F6 being the worst. Press the RECOVERY button again to return to the main display.

SPECIFICATIONS

Display	LCD Monitor: Time, Time 500M, Calorie, Distance, Strokes, Strokes Per Minute (SPM), Pulse, Total Strokes, Date, Clock, Calendar and Temperature
Storage	Built-in wheels.
Resistance	Dual water and elastic resistance, 5 levels of elastic resistance.
Battery	2 x AA
Saddle	Foam filled seat with free movement up and down the slideway.
Pedals	Wide platform pedals with adjustable straps
Handlebars	Ergonomic handlebar
Colour	Black
Slideway Length	93cm
Maximum User Weight	150 kg, 23.62 St or 330 lb.
Occupying Area	211 cm (Length) x 55 cm (Width) x 100 cm (Height)
Packaging Dimensions	Box 1: 103.5 cm x 57 cm x 57 cm Box 2: 141.5 cm x 11.5 cm x 8 cm
Gross Weight	Box 1: 38kg Box 2: 3.6kg
Net Weight	Box 1: 32.4kg Box 2: 3.2kg

4 MAINTENANCE



Maintenance must be performed on a regular basis. Performing maintenance actions can aid in providing safe and trouble-free operation of all JLL® equipment.

JLL® are not responsible for performing regular inspection and maintenance actions for your machine. JLL® representatives are available to answer any questions that you may have on +44 (0)121 328 7507.

PREVENTIVE MAINTENANCE ACTIVITIES

Keeping the rowing machine in a clean state will help to prolong its life. Perform regular preventive maintenance to ensure normal operation of the unit. Keep a log of all maintenance actions to assist in staying current with all preventive maintenance activities. JLL® is not responsible for performing regular inspection or maintenance.

Read all instructions and warnings listed both in this chapter and in the *Safety* chapter. Contact JLL® Customer Service on +44 (0)121 328 7507 for any maintenance or service concerns.

Requirements:

- Water
- Dry cloth
- Vacuum

WARNING

1. Only use water to clean and dust. Do not use any cleaning product because they may damage the rower.
2. Be careful not to spill or get excessive moisture between the edge of the display panel, as this might create an electrical hazard or cause failure of the electronics.
3. Direct spraying could cause damage to the electronics and may void the warranty.

Depending on where the rowing machine is placed, you may experience dry air, causing a common experience of static electricity. You can notice that by walking across a carpet and then touching a metal object. On your rower you may experience a shock due to the build-up of static electricity on your body and the discharge path of the rower. If you experience this type of situation, you may want to increase the humidity to a comfortable level through the use of a humidifier.

Check your machine regularly for rust. If rust starts to appear on the screws it means the item is not housed in the correct environment and will need to be moved to a more suitable room. Any rust will indicate there may be moisture in the air and as a result this could impact on the integrity and performance of your machine.

⚠ WARNING

1. Use only JLL® replacement parts.
2. Keep water and liquids away from electrical parts.
3. If you allow your machine to become rusty, this will affect your warranty.

WATER PURIFICATION

With your new machine you'll also receive a bottle of water purification tablets. Each time you refill the tank one of these must be added. Use the syphon pump provided to empty and refill the tank.

It is recommended to refill your tank with clean water every 6 month's or when the water has gone cloudy.

*Please wash your hands after handling the tablets and do not place them near your eyes or mouth.

ROWER CLEANING

Keep the slideway free of dust and debris for smooth running and preventing injuries. Debris may cause damage to the rollers underneath the saddle.

After every workout use a neat, dry cloth for cleaning the machine and the handlebars to prevent the unit of corrosion. Wipe away any sweat that may have dripped. Avoid scratching the display by using a soft cloth.

Do not use abrasive or chemical cleaning agents.

3 EASY STEPS TO CLEAN YOUR ROWING MACHINE



Recommendation (these are just a guideline):

- Use a clean cloth to wipe down the whole machine.
- Vacuum or sweep the floor underneath and around the rower to prevent any dust going into the machine. A treadmill mat can help to reduce dust.
- Use a vacuum cleaner or a soft damp cloth to clean machines entire cover area. When not using product for an extended period of time the product should be folded and stored in a suitable environment.

5 ADDITIONAL INFORMATION

CONTACT INFORMATION

In case any issues arise, please do not hesitate to contact our Customer Service team on +44 (0)121 328 7507 or email us at **CONTACT@JLLFITNESS.CO.UK**

You can also visit our support centre at **SUPPORT.JLLFITNESS.CO.UK** for maintenance and assembly articles & videos.

DISCLAIMER

- You should consult your physician, doctor or other health care professional before starting or taking part in any of our workout guides. It is your responsibility to evaluate your own health before taking part or performing any physical activity you may see associated with JLL Fitness Ltd.
- Always seek professional advice before changing your diet or starting any exercise program.
- JLL Fitness Ltd is not liable for any injuries or damages that may occur when assembling or using this rowing machine.
- By reading this you assume full responsibility for any injuries or changes to your physical well-being. You waive all rights and release JLL Fitness Ltd of blame from any injuries or damages to property that may occur whilst following our advice.
- This manual offers specific instructions on how to assemble and maintain your rowing machine. Failure to follow these directions may result in your warranty being void.

FRANÇAIS MANUEL D'INSTRUCTIONS

INSTRUCTIONS DE MONTAGE ET SUPPORT TECHNIQUE

1. Scannez le code QR.
2. Suivez le lien vers notre chaîne YouTube ou notre page de téléchargements.
3. Assemblez votre machine en toute sécurité.



SUIVEZ-NOUS SUR LES RÉSEAUX SOCIAUX!

Obtenez les dernières informations sur les produits, le contenu de formation et plus encore.



CONTENU

Schéma éclaté.....	28
Liste de pièces.....	29

1. INSTRUCTIONS DE SÉCURITÉ

Informations importantes sur la sécurité.....	30
Précautions de sécurité pour l'utilisateur.....	31
Avant l'utilisation.....	31
Pendant l'utilisation.....	31
Précautions de sécurité pour l'exercice.....	31
Précautions de sécurité pour l'établissement.....	32
Autocollants d'avertissement.....	32

2. ASSEMBLAGE

Préparation du site.....	33
Diagramme.....	33
Liste du contenu.....	34
Contenu de la boîte.....	34
Kit d'outils.....	35
Assemblage du Aqua 1.....	36

3. FONCTIONNEMENT

Tester le fonctionnement du rameur.....	38
Remplissage du réservoir.....	38
Ajuster les pédales.....	38
Déplacement de la machine.....	39
Ajuster la résistance.....	39
Configuration du moniteur.....	40
Spécifications du moniteur.....	40
Fonctions.....	41
Procédures de fonctionnement.....	41
Manuel.....	42
Course.....	42
Récupération.....	42
Spécifications.....	43

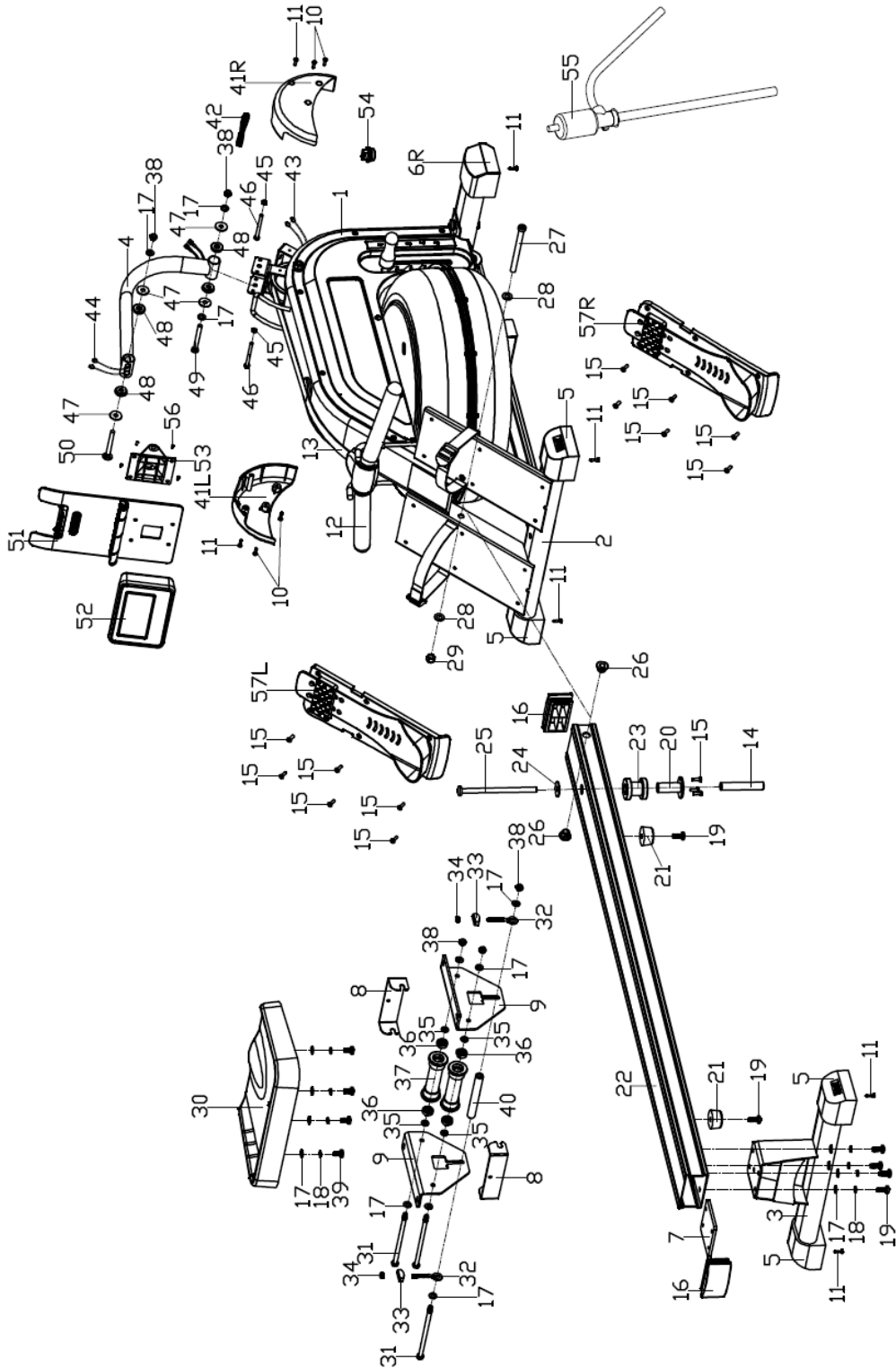
4. MAINTENANCE

Activités de maintenance préventive	44
Purification de l'eau	45
Nettoyage du rameur	46
3 étapes faciles pour nettoyer votre rameur.....	46

5. INFORMATIONS COMPLÉMENTAIRES

Informations de contact	47
Avis de non-responsabilité	47

SCHÉMA ÉCLATÉ



LISTE DES PIÈCES



NO.	Description	QTY	NO.	Description	QTY
1	Combinaison du cadre principal	1	30	Selle	1
2	Combinaison du piédestal	1	31	Boulon hexagonal M8x145	3
3	Combinaison du stabilisateur arrière	1	32	Boulon réglable	2
4	Combinaison du tube oscillant	1	33	Rondelle en U	2
5	Bouchon de stabilisateur arrière	4	34	Écrou en nylon M6	2
6 L/R	Bouchon avant	Pr1	35	Douille des roues de rail	4
7	Planche	1	36	Palier	4
8	Plaque déflectrice en U	2	37	Rouleau de rail	2
9	Cadre de support gauche	2	38	Écrou en nylon M8	5
10	Vis à tête cruciforme M5x10	4	39	Boulon hexagonal M8x16	4
11	Vis à tête bombée cruciforme ST4.2x18	8	40	Douille	1
12	Guidon	1	41 L/R	Couvercle de protection des roues	Pr1
13	Tresse	1	42	Bague d'étanchéité	1
14	Douille	1	43	Fil du capteur	2
15	Vis à tête cruciforme M5x15	15	44	Fil d'extension	2
16	Bouchon de tube carré	2	45	Écrou hexagonal M6	2
17	Rondelle plate D8x1.5	17	46	Boulon hexagonal M6x65	2
18	Rondelle ressort D8	8	47	Coussin 1	4
19	Boulon hexagonal M8x20	6	48	Douille en alliage	4
20	Mât d'enregistrement	1	49	Boulon hexagonal M8x70	1
21	Coussin	2	50	Vis carrée M8x74	1
22	Rail de guidage	1	51	Étagère pour iPad	1
23	Poteau de renforcement	1	52	Affichage	1
24	Rondelle plate D10xD23x2	1	53	Base fixe	1
25	Boulon hexagonal M10x165	1	54	Bouchon de trou	1
26	Douille en alliage	2	55	Pompe en plastique	1
27	Vis à tête cylindrique à six pans creux M10x125	1	56	Vis à tête cruciforme	4
28	Rondelle plate D10x2	2	57 L/R	Combinaison de la pagaie	Pr1
29	Écrou en nylon M10	1			


1 INSTRUCTIONS DE SÉCURITÉ

Veillez prêter attention aux instructions suivantes avant d'utiliser cette machine à ramer.

INFORMATIONS DE SÉCURITÉ IMPORTANTES

Merci d'avoir choisi notre produit. Pour garantir votre santé et votre sécurité, veuillez utiliser cet équipement comme conseillé. Il est important de lire l'intégralité de ce manuel avant d'assembler et d'utiliser l'équipement. Une utilisation sûre et efficace ne peut être atteinte que si l'équipement est assemblé, entretenu et utilisé conformément au manuel. Il est de votre responsabilité de vous assurer que tous les utilisateurs de l'équipement sont informés de toutes les mises en garde et précautions.

1. Avant de commencer tout programme d'exercice, vous devriez consulter un professionnel de la santé pour déterminer si vous avez des conditions médicales ou physiques qui pourraient mettre votre santé et votre sécurité en danger ou vous empêcher d'utiliser l'équipement correctement. L'avis d'un professionnel de la santé est essentiel si vous prenez des médicaments qui affectent votre fréquence cardiaque, votre pression artérielle ou votre taux de cholestérol.
2. Soyez attentif aux signaux de votre corps. Un exercice incorrect ou excessif peut nuire à votre santé. Arrêtez l'exercice si vous ressentez l'un des symptômes suivants : douleur, sensation de serrement dans la poitrine, rythme cardiaque irrégulier, étourdissements ou sensations de nausée. Si vous éprouvez l'une de ces conditions, vous devriez consulter un professionnel de la santé avant de poursuivre votre programme d'exercice.
3. Éloignez les enfants et les animaux domestiques de l'équipement. L'équipement est conçu uniquement pour une utilisation par des adultes.
4. Utilisez l'équipement sur une surface solide, plane et utilisez un tapis de protection pour votre sol ou votre moquette. Pour assurer la sécurité, l'équipement doit avoir au moins 61 cm d'espace libre tout autour de lui.
5. Assurez-vous que tous les écrous et boulons sont bien serrés avant d'utiliser l'équipement. La sécurité de l'équipement ne peut être maintenue que s'il est régulièrement inspecté pour les dommages et/ou l'usure.
6. Utilisez toujours l'équipement comme indiqué. Si vous trouvez des composants défectueux lors de l'assemblage ou de la vérification de l'équipement, ou si vous entendez des bruits inhabituels provenant de l'équipement pendant l'exercice, cessez immédiatement d'utiliser l'équipement. Veuillez contacter JLL Fitness au 0121 328 7507 pour obtenir des conseils sur la résolution du problème.
7. Portez des vêtements appropriés lors de l'utilisation de l'équipement. Évitez de porter des vêtements amples qui pourraient s'emmêler dans l'équipement.

- 
8. Ne placez pas vos doigts ni d'objets dans les pièces mobiles de l'équipement.
 9. La capacité de poids maximale de cette unité est de 150 kg.
 10. Pour éviter les blessures corporelles et/ou les dommages au produit ou à la propriété, veillez à suivre les procédures de levage et de déplacement sécuritaires.
 11. Votre produit est destiné à être utilisé dans des conditions fraîches et sèches. Évitez de le stocker dans des zones extrêmement froides, chaudes ou humides, car cela peut entraîner de la corrosion et d'autres problèmes connexes.
 12. Cet équipement est conçu uniquement pour une utilisation en intérieur à domicile et n'est pas destiné à un usage commercial.

PRÉCAUTIONS DE SÉCURITÉ DE L'UTILISATEUR

AVANT UTILISATION

- Assemblez l'aviron conformément au manuel d'instructions.
- Consultez votre médecin avant de commencer un programme d'exercices.
- Lisez les instructions.
- Lisez les étiquettes d'avertissement.
- Familiarisez-vous avec les procédures d'arrêt d'urgence.
- Le poids maximum de l'utilisateur est de 150kg / 23.62 St
- Inspectez l'unité. En cas de dommage, NE PAS UTILISER.
- Assurez-vous que chaque boulon et vis est solidement serré.

PENDANT L'UTILISATION

- NE PAS utiliser pour l'étirement et NE PAS attacher de sangles ou d'autres dispositifs.
- NE PERMETTEZ PAS aux enfants de 12 ans ou moins d'être sur ou près de la machine.
- Arrêtez l'exercice si vous vous sentez faible, étourdi ou ressentez de la douleur.
- Gardez tous les vêtements et accessoires à l'écart des pièces en mouvement.

PRÉCAUTIONS DE SÉCURITÉ POUR L'EXERCICE

- Portez des vêtements de sport et des chaussures de sport.
- Ce modèle ne doit être utilisé qu'à domicile, NE PAS l'utiliser à des fins commerciales.

PRÉCAUTIONS DE SÉCURITÉ POUR L'ÉTABLISSEMENT

- NE PAS utiliser cette machine dans des endroits humides ou mouillés.
- Soyez prudent en montant ou en descendant du rameur.
- Vérifiez le rameur pour des composants usés ou desserrés avant chaque utilisation. NE PAS utiliser tant que les pièces usées ou endommagées n'ont pas été remplacées.
- Effectuez régulièrement la maintenance. Reportez-vous au chapitre sur la maintenance préventive.
- NE PAS utiliser le rameur si : (1) la machine ne fonctionne pas correctement ou (2) le rameur a été endommagé ou laissé tomber.
- NE PAS utiliser le rameur en extérieur.
- Lisez le manuel d'instruction intégralement avant d'utiliser le rameur.
- Assurez-vous que tous les utilisateurs portent des chaussures appropriées sur l'équipement JLL®.
- Installez et utilisez le rameur sur une surface plane. NE L'utilisez PAS dans de petits espaces restreints ou sur un tapis moelleux.
- Fournissez autant que possible les dégagements suivants : 0,5 m de chaque côté et 2 m à l'arrière. Assurez-vous que votre machine est éloignée des murs, de l'équipement et d'autres surfaces dures.
- NE MODIFIEZ PAS l'unité de quelque manière que ce soit. Toutes modifications annuleront la garantie.
- Toutes les données affichées par le moniteur sont à des fins de référence uniquement.

AUTOCOLLANTS D'AVERTISSEMENT

Les autocollants d'avertissement indiquent une situation potentiellement dangereuse qui, si elle n'est pas évitée, pourrait entraîner la mort ou des blessures graves. Lisez attentivement les avertissements et les étiquettes de précaution suivants avant d'utiliser l'appareil.

AVERTISSEMENT

NE TOUCHEZ AUCUNE pièce mobile pendant l'utilisation.

Les enfants et les animaux doivent être tenus à l'écart de la machine en tout temps.

Des vêtements appropriés DOIVENT être portés pendant l'exercice.

Veuillez consulter un médecin ou un professionnel de la santé avant de commencer tout exercice ou régime de santé.

2 ASSEMBLAGE

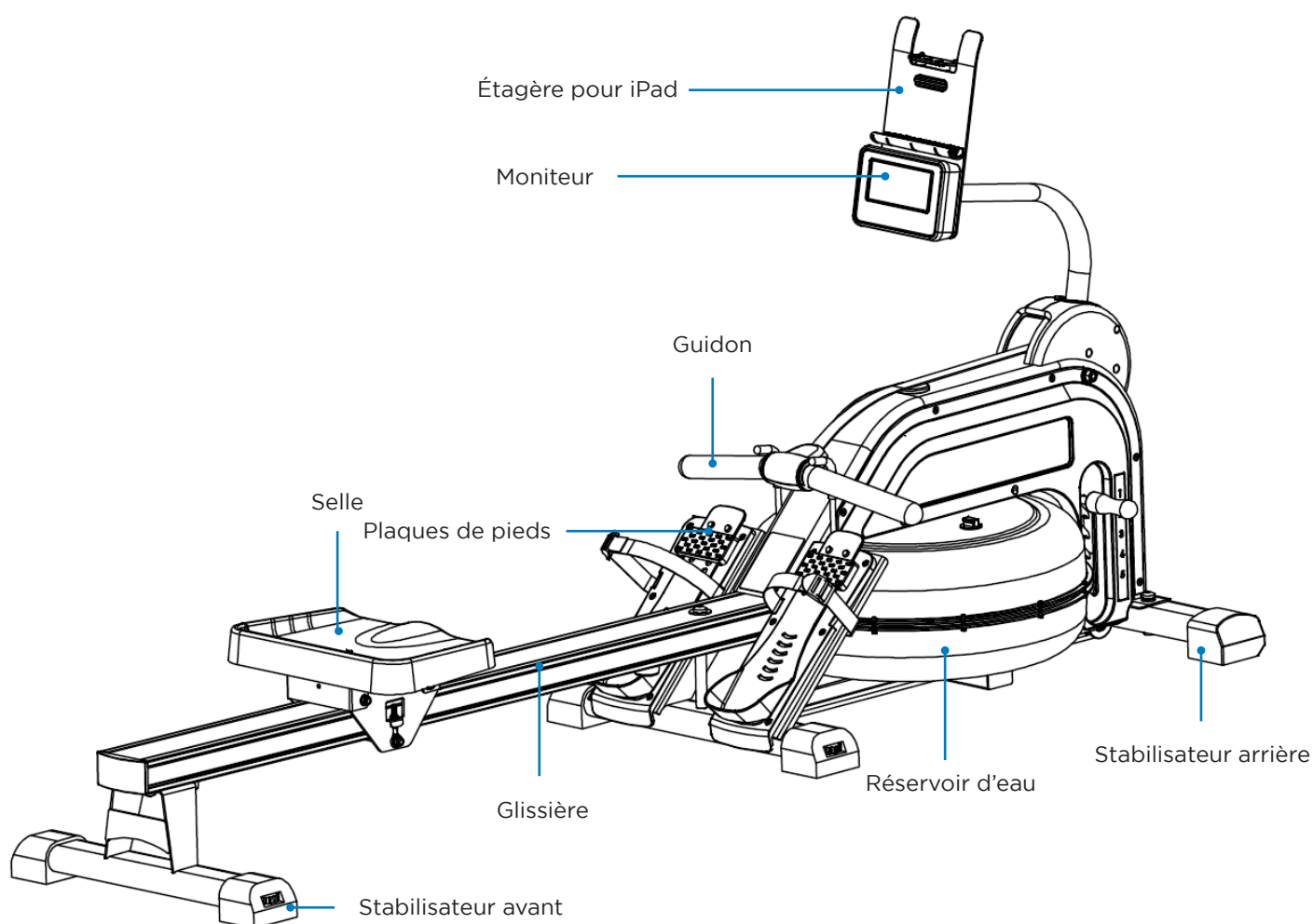


PRÉPARATION DU SITE

Pour trouver l'emplacement idéal pour installer ce rameur, assurez-vous que :

- La zone est bien éclairée et bien ventilée.
- La surface est de niveau.
- Il y a suffisamment d'espace pour accéder à l'appareil et pour une descente d'urgence. Si possible, maintenez les dégagements suivants : 0,5 m de chaque côté et 2 m à l'arrière.
- Le rameur est placé dans un environnement avec une plage d'humidité relative de 30 à 50 %. Assurez-vous que la température est maintenue constante. N'utilisez pas dans un environnement humide, car cela peut affecter l'intégrité et les performances de l'appareil.

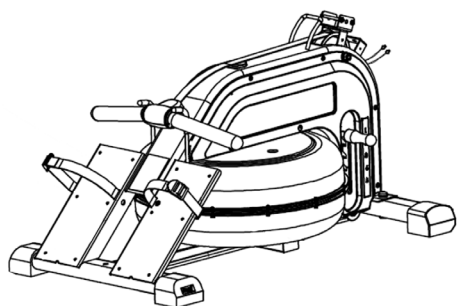
DIAGRAMME



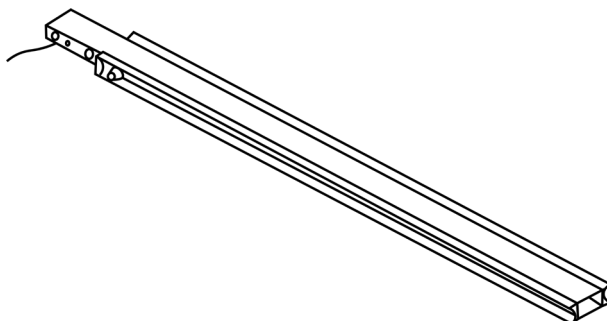
LISTE DU CONTENU

Voir le schéma (page précédente) et la liste de contenu (ci-dessous) pour le contenu de la boîte du rameur. Consultez le chapitre Service Client pour obtenir les informations de contact si des pièces sont manquantes.

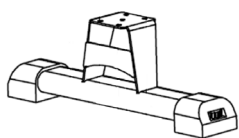
CONTENU DE LA BOÎTE



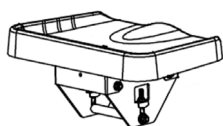
Base principale du rameur



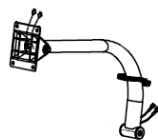
Glissière



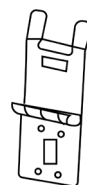
Stabilisateur arrière



Selle



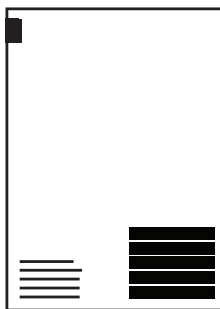
Bras du moniteur



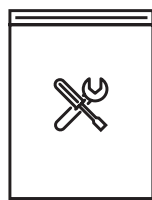
Support pour iPad



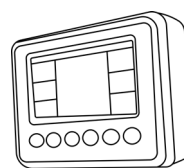
Couvercles de protection



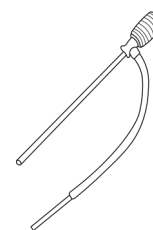
Manuel



Kit d'outils



Moniteur



Pompe

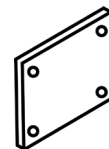
PACK D'OUTILS



Vis à tête
cruciforme M5X10
x4



Vis à tête
cruciforme ST4.2X18
x2



Plaque d'écrou
x1



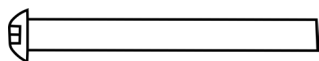
M8x20
Boulon hexagonal
x4



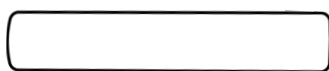
Rondelle à ressort
x4



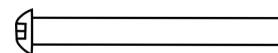
Rondelle
plate
x4



M10x165 Boulon hexagonal
x1



Douille en alliage
x1



M10x125 Vis à tête cylindrique à six
pans creux
x1



7mm Clé Allen hexagonale
x1



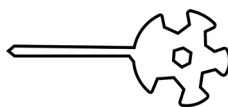
Tablettes de purifi-
cation de l'eau
x1



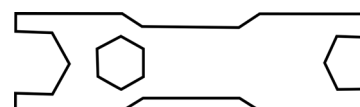
Petite clé hexagonale
x2



9mm Clé Allen hexagonale
x1



Outil multifonction
x1

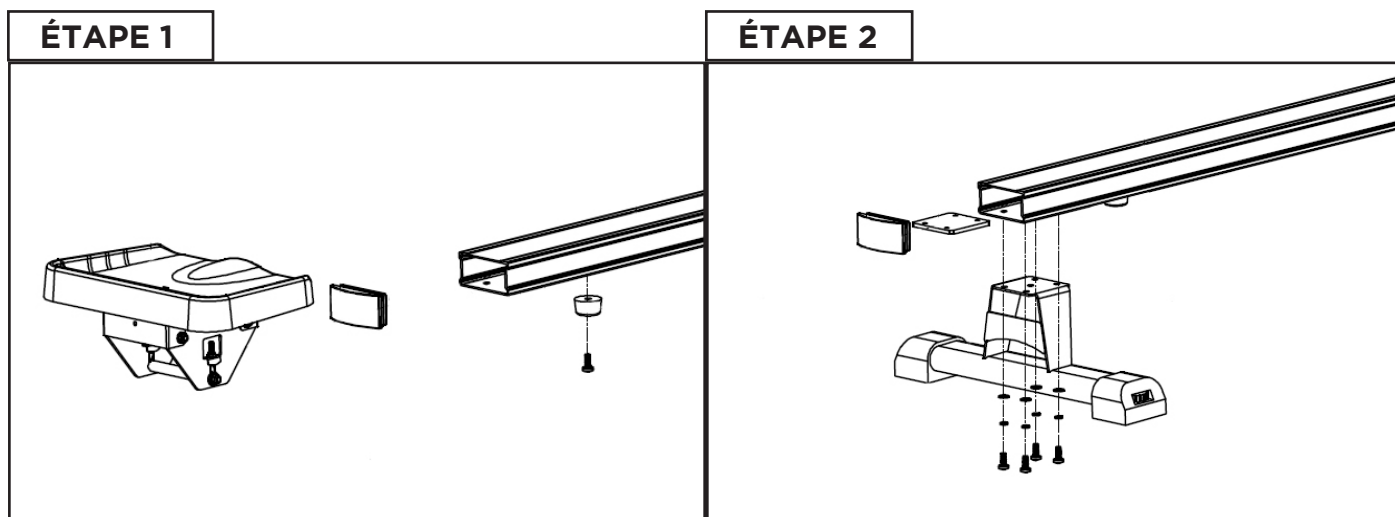


Grande clé hexagonale
x1

ASSEMBLAGE AQUA 1

Le rameur a été assemblé et testé à l'usine, donc vous ne devriez pas rencontrer de problèmes pour assembler toutes les pièces. Les composants sont conçus pour s'emboîter, et seul un outillage de base est nécessaire pour le processus d'assemblage. À l'intérieur de la boîte, vous trouverez un pack d'outils (clé hexagonale, clé à molette, rondelles et boulons). Voir la page précédente.

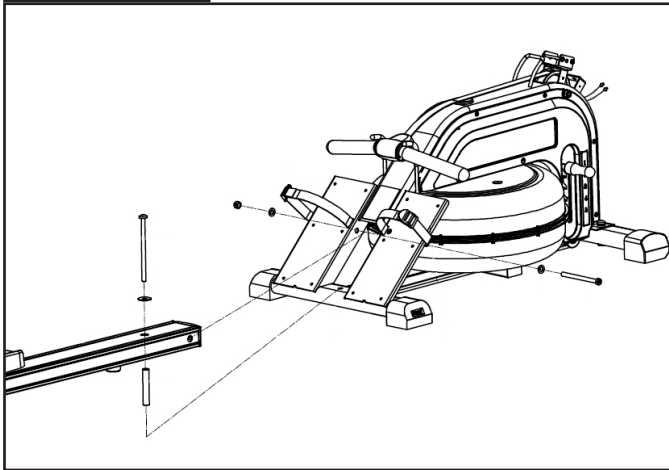
Pour assembler votre JLL AQUA 1, veuillez suivre ces étapes simples :



Retirez le coussin en caoutchouc et le capuchon de l'extrémité de la glissière, fixez la selle et remettez en place le coussin en caoutchouc.

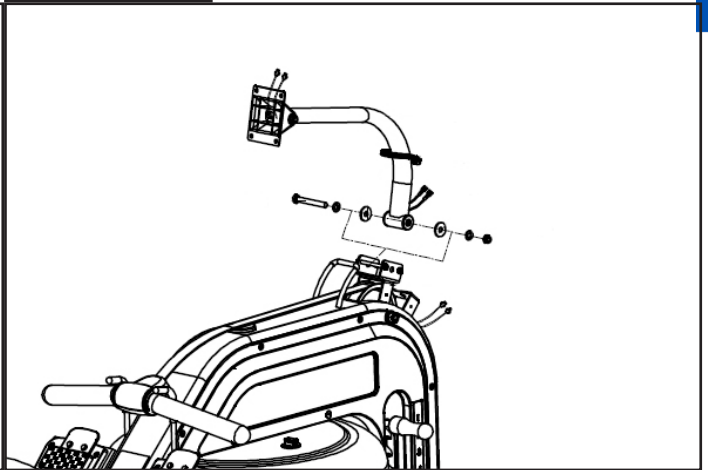
Placez la plaque d'écrou dans la glissière et alignez les trous, fixez le stabilisateur à la glissière en utilisant quatre boulons et rondelles. Ensuite, remettez en place le capuchon de l'extrémité.

ÉTAPE 3



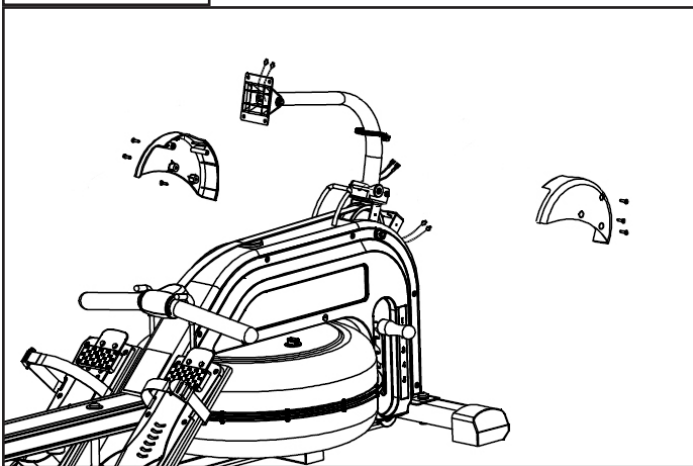
Fixez la glissière à la base principale en utilisant un grand boulon hexagonal, une rondelle plate et un écrou en nylon. (Derrière les plaques de pieds) Ensuite, fixez en utilisant un grand boulon à tête Allen, une rondelle plate et une douille à travers le dessus de la glissière.

ÉTAPE 4



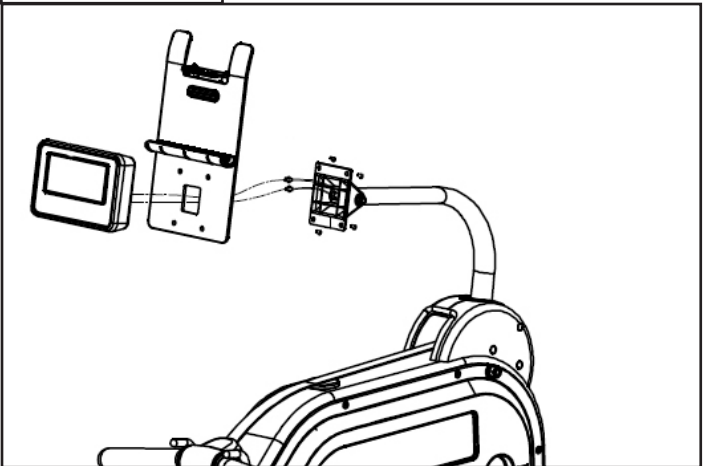
Fixez le bras du moniteur à la base principale en utilisant un boulon hexagonal, des rondelles plates et un écrou en nylon. Ensuite, connectez les fils du capteur de la base au bras du moniteur.

ÉTAPE 5



Ensuite, ajoutez les couvercles de protection autour du bras en vous assurant qu'ils s'insèrent dans la bague d'étanchéité. Utilisez trois vis de chaque côté.

ÉTAPE 6



Enfin, retirez les vis à l'arrière du moniteur et faites passer les fils du moniteur à travers le support pour iPad et connectez-les aux fils du bras. Ensuite, fixez le moniteur et le support au bras en utilisant les vis précédemment retirées.

3 OPÉRATION

TEST DE FONCTIONNEMENT DE L'AVIRON

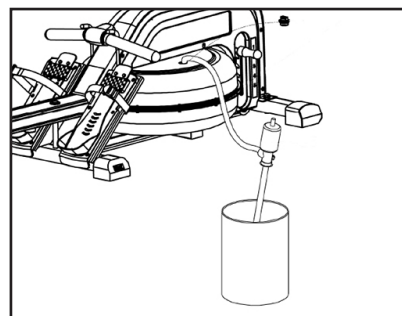
Utilisez les instructions suivantes pour tester la résistance complète du rameur et vérifier le bon fonctionnement du cordon.

1. Asseyez-vous sur la machine et placez vos pieds sur les plaques de pieds, effectuez doucement quelques coups d'aviron.
2. Vérifiez le moniteur pour vous assurer que les chiffres changent.
3. Tirez vers le bas la poignée de résistance élastique à l'arrière de la base et vérifiez si vous ressentez une différence dans la difficulté de la résistance.
4. Pendant chaque coup d'aviron, assurez-vous que la ceinture se rétracte complètement dans la base et qu'elle n'est pas lâche.
5. Assurez-vous également qu'il n'y a pas de bruits inhabituels provenant de la machine et qu'il n'y a pas de balancement pendant votre entraînement.

REPLISSAGE DU RÉSERVOIR

Faites sortir le bouchon de trou sur le dessus du réservoir.

Insérez l'extrémité flexible de la pompe dans le trou. Insérez l'extrémité rigide dans un contenant d'eau. Pressez la pompe pour filtrer l'eau et remplir le réservoir jusqu'au niveau indiqué par la jauge.

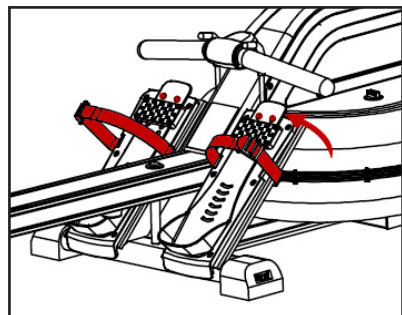


RÉGLAGE DES PÉDALES

La longueur du repose-pied de la pédale peut être ajustée pour s'adapter à la taille de l'utilisateur.

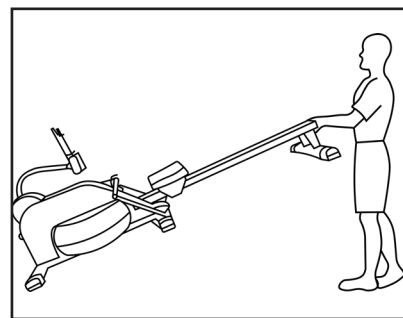
Soulevez la lèvre supérieure jusqu'à ce qu'elle se détache des deux bouchons surélevés, puis faites glisser à la longueur désirée.

Pour serrer, tirez sur l'extrémité de la sangle de la pédale.



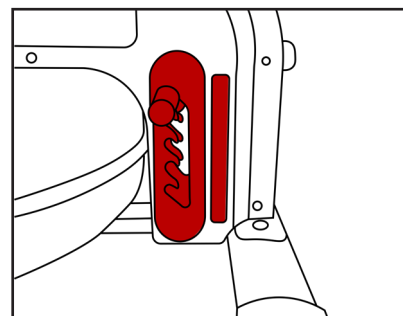
DÉPLACEMENT DE LA MACHINE

Pour déplacer la machine, soulevez-la par le stabilisateur jusqu'à ce que les roues de transport situées sur le stabilisateur opposé touchent le sol. Une fois les roues au sol, vous pouvez facilement transporter le rameur à l'endroit souhaité.



AJUSTEMENT DE LA RÉSISTANCE

Pour ajuster la résistance élastique, saisissez les poignées de chaque côté de la machine et insérez-les dans les crochets en les faisant glisser vers le haut ou vers le bas. Assurez-vous de déplacer les deux côtés en même temps.



CONFIGURATION DU MONITEUR



1	Affichage LCD	2	Bouton de récupération
3	Bouton de réinitialisation	4	Bouton Démarrer/Arrêter
5	Bouton Entrée	6	Bouton Bas
7	Bouton Haut		

SPECIFICATIONS DE L'ÉCRAN

Temps.....	00:00 - 99:59 MIN
Temps 500M.....	00:00 - 99:59 MIN
Course.....	0 - 9999
Calorie.....	0.0 - 999.9
Distance.....	0.0 - 999.9
Coups par Minute.....	0 - 9999
Coups Totals.....	0 - 9999
Pouls.....	0 - 240
Température.....	0°C
Calendrier.....	année,mois,jour
Horloge.....	00:00

FONCTIONS

TEMPS : Compte la durée de votre entraînement.

TEMPS 500M : Calcule votre temps moyen sur 500 mètres. Partage le même segment que le temps.

COUPS : Compte les coups réalisés pendant votre entraînement.

CALORIE : Compte les calories estimées brûlées pendant l'exercice.

COUPS PAR MINUTE : Affiche la moyenne des coups par minute.

DISTANCE : Affiche la distance parcourue en mètres pendant votre entraînement.

POULS : Affiche votre rythme cardiaque actuel pendant votre entraînement. La mesure du pouls fonctionnera uniquement avec un système de ceinture thoracique.

CALENDRIER : Le moniteur affiche l'année, le mois et le jour lorsque le moniteur est en veille.

TEMPÉRATURE : Le moniteur affiche la température ambiante actuelle lorsque le moniteur est en veille.

HORLOGE : Le moniteur affiche l'heure actuelle lorsqu'il est en veille.

PROCÉDURES D'OPÉRATION

Auto On/Off : Le moniteur s'allume lorsque vous commencez à ramer ou en appuyant sur n'importe quel bouton. Le moniteur s'éteindra après 4 minutes d'inactivité.

Lorsque le moniteur est allumé, l'affichage LCD affiche tous les segments pendant 1 seconde.

Tout d'abord, vous devrez entrer l'année (dans la section Coups), le mois (dans la section Calories) et le jour (dans la section Pouls). Après confirmation, l'alarme retentira. Appuyez sur le bouton HAUT pour régler l'activation/désactivation, qui est le symbole de l'alarme. Si le symbole de l'alarme n'apparaît pas, appuyez sur ENTREZ. Lorsque l'affichage de l'alarme est activé, vous pouvez régler l'heure de l'alarme (de la même manière que vous avez réglé la date). Appuyez ensuite sur ENTREZ pour que le symbole de sport dans le coin supérieur gauche s'affiche, MANUEL et COURSE clignoteront et seront prêts à être sélectionnés. Appuyez sur HAUT ou BAS pour en sélectionner un, puis appuyez sur ENTREZ pour confirmer.

MANUEL

Une fois entré en mode manuel, appuyez sur la touche UP pour régler l'heure, qui clignotera. Une fois que vous avez défini votre temps cible, appuyez sur ENTER pour le confirmer. DISTANCE - STROKES - CALORIES - PULSE - TIME peuvent tous être réglés sur une cible spécifique, mais plusieurs fonctions ne peuvent pas être réglées pendant un seul entraînement (par exemple, si un temps cible est défini, alors une distance cible ne peut pas être définie en même temps). Appuyez sur la touche START/STOP pour commencer, l'icône STOP disparaîtra et vous pourrez appuyer sur UP ou DOWN pour sélectionner les fonctions. Lorsque la fonction spécifique a atteint zéro ou que vous avez appuyé sur le bouton START/STOP, le moniteur s'arrêtera et affichera la valeur moyenne.

COURSE

Une fois que vous avez accédé au mode RACE en suivant les étapes précédentes, le L1 clignotera et le TEMPS 500M peut s'afficher avec 8:00. Utilisez les boutons HAUT ou BAS pour sélectionner L1-L15 et appuyez sur ENTRER pour confirmer. Ensuite, vous pouvez régler la distance de la course (500m - 10000m), la section de distance devrait clignoter. Appuyez sur ENTRER et l'image de la course s'affichera sur le segment central. Les chiffres du TEMPS 500M sont :

L1 - 8:00	L4 - 6:30	L7 - 5:00	L10 - 3:30	L13 - 2:00
L2 - 7:30	L5 - 6:00	L8 - 4:30	L11 - 3:00	L14 - 1:30
L3 - 7:00	L6 - 5:30	L9 - 4:00	L12 - 2:30	L15 - 1:00

Appuyez sur le bouton START/STOP et l'icône STOP disparaîtra. Les moniteurs de la course et de vous-même apparaîtront au centre, le moniteur s'arrêtera lorsque vous aurez atteint la distance cible de la course. PC WIN ou USER WIN seront affichés.

Une fois la course terminée, vous pouvez appuyer sur START/STOP pour refaire la course.

RÉCUPÉRATION

Après avoir fait de l'exercice pendant un certain temps, si vous portez une ceinture thoracique, appuyez sur RECOVERY. Toutes les fonctions s'arrêteront à l'exception de l'heure, cela commencera à décompter à partir de 60 secondes. L'écran affichera ensuite votre état de récupération du rythme cardiaque avec F1-F6, F1 étant le meilleur et F6 le pire. Appuyez de nouveau sur le bouton RECOVERY pour revenir à l'affichage principal.

SPÉCIFICATIONS

Écran	Moniteur LCD : Temps, Temps 500M, Calories, Distance, Coups, Coups Par Minute (SPM), Pouls, Total des Coups, Date, Horloge, Calendrier et Température
Rangement	Roues intégrées
Résistance	Double résistance à l'eau et élastique, 5 niveaux de résistance élastique
Batterie	2 piles AA
Selle	Siège rempli de mousse avec mouvement libre de haut en bas sur la glissière
Pédales	Pédales à plateforme large avec sangles réglables
Guidon	Guidon ergonomique
Couleur	Noir
Longueur de la glissière	93cm
Poids maximum de l'utilisateur	150 kg, 23.62 St or 330 lb.
Surface occupée	211 cm (Longueur) x 55 cm (Largeur) x 100 cm (Hauteur)
Dimensions de l'emballage	Boîte 1: 103.5 cm x 57 cm x 57 cm Boîte 2: 141.5 cm x 11.5 cm x 8 cm
Poids brut	Boîte 1: 38kg Boîte 2: 3.6kg
Poids net	Boîte 1: 32.4kg Boîte 2: 3.2kg

4 MAINTENANCE

L'entretien doit être effectué régulièrement. La réalisation d'actions d'entretien peut contribuer à assurer un fonctionnement sûr et sans problème de tout l'équipement JLL®.

JLL® n'est pas responsable de la réalisation d'inspections et d'actions d'entretien régulières pour votre machine. Les représentants de JLL® sont disponibles pour répondre à toutes les questions que vous pourriez avoir au +44 (0)121 328 7507.

ACTIVITÉS DE MAINTENANCE PRÉVENTIVE

Chaque vélo JLL® sorti d'usine est déjà entretenu, cependant, vous devez suivre des étapes simples pour l'entretenir. Maintenir le vélo dans un état propre contribuera à prolonger sa durée de vie. Effectuez régulièrement un entretien préventif pour assurer le fonctionnement normal de l'unité. Tenez un journal de toutes les actions d'entretien pour vous aider à rester à jour avec toutes les activités de maintenance préventive. JLL® n'est pas responsable de l'inspection ou de l'entretien régulier.

Lisez toutes les instructions et avertissements figurant dans ce chapitre ainsi que dans le chapitre sur la sécurité. Contactez le service clientèle de JLL® au +44 (0)121 328 7507 pour toute préoccupation concernant l'entretien ou le service.

Exigences:

- Eau
- Chiffon sec
- Aspirateur
- Huile de lubrification

AVERTISSEMENT

1. Utilisez uniquement de l'eau pour nettoyer et dépoussiérer. N'utilisez aucun produit de nettoyage car ils pourraient endommager le vélo.
2. Faites attention à ne pas renverser ou à ne pas laisser trop d'humidité entre le bord du moniteur, car cela pourrait créer un danger électrique ou causer une défaillance des composants électroniques.
3. La pulvérisation directe pourrait endommager l'électronique et annuler la garantie.

En fonction de l'endroit où se trouve l'ergomètre, vous pouvez ressentir de l'air sec, ce qui provoque une expérience courante d'électricité statique. Vous pouvez le remarquer en marchant sur un tapis puis en touchant un objet métallique. Sur votre rameur, vous pouvez ressentir une décharge électrique due à l'accumulation d'électricité statique sur votre corps et le chemin de décharge du rameur. Si vous rencontrez ce type de situation, vous voudrez peut-être augmenter l'humidité à un niveau confortable en utilisant un humidificateur.

Vérifiez régulièrement votre machine pour la rouille. Si de la rouille commence à apparaître sur les vis, cela signifie que l'article n'est pas placé dans un environnement approprié et doit être déplacé dans une pièce plus adaptée. Toute rouille indiquera qu'il peut y avoir de l'humidité dans l'air et, par conséquent, cela pourrait avoir un impact sur l'intégrité et les performances de votre machine.

⚠ AVERTISSEMENT

1. Utilisez uniquement des pièces de rechange JLL®.
2. Gardez l'eau et les liquides éloignés des pièces électriques.
3. Si vous permettez à votre machine de rouiller, cela affectera votre garantie.

PURIFICATION DE L'EAU

Avec votre nouvelle machine, vous recevrez également un flacon de tablettes de purification de l'eau. Chaque fois que vous remplissez le réservoir, vous devez ajouter l'une de ces tablettes. Utilisez la pompe siphon fournie pour vider et remplir le réservoir. Il est recommandé de remplir votre réservoir avec de l'eau propre tous les 6 mois ou lorsque l'eau devient trouble.

*Veuillez vous laver les mains après avoir manipulé les tablettes et ne les placez pas près de vos yeux ou de votre bouche.

NETTOYAGE DU RAMEUR

Gardez le chemin de coulissement exempt de poussière et de débris pour un fonctionnement fluide et pour éviter les blessures. Les débris peuvent endommager les rouleaux sous la selle.

Après chaque séance d'entraînement, utilisez un chiffon propre et sec pour nettoyer la machine et les guidons afin de prévenir la corrosion. Essuyez la transpiration qui aurait pu s'écouler. Évitez de rayer l'écran en utilisant un chiffon doux.

N'utilisez pas d'agents de nettoyage abrasifs ou chimiques.

3 ÉTAPES FACILES POUR NETTOYER VOTRE RAMEUR

Recommandation (ce ne sont que des lignes directrices) :

- Utilisez un chiffon propre pour essuyer toute la machine.
- Passez l'aspirateur ou balayez le sol sous et autour du rameur pour éviter que de la poussière ne pénètre dans la machine. Un tapis de course peut aider à réduire la poussière.
- Utilisez un aspirateur ou un chiffon doux humide pour nettoyer toute la surface de la couverture de la machine. Lorsque le produit n'est pas utilisé pendant une période prolongée, il doit être plié et rangé dans un environnement approprié.

5 INFORMATIONS COMPLÉMENTAIRES



INFORMATIONS DE CONTACT

En cas de problèmes, n'hésitez pas à contacter notre service client au +44 (0)121 328 7507 ou à nous envoyer un e-mail à CONTACT@JLLFITNESS.CO.UK

Vous pouvez également visiter notre centre de support à l'adresse SUPPORT.JLLFITNESS.CO.UK pour des articles et des vidéos sur la maintenance et l'assemblage.

AVIS DE NON-RESPONSABILITÉ

- Vous devriez consulter votre médecin, docteur ou un autre professionnel de la santé avant de commencer ou de participer à l'un de nos guides d'entraînement. Il est de votre responsabilité d'évaluer votre propre santé avant de prendre part ou d'effectuer toute activité physique que vous pourriez voir associée à JLL Fitness Ltd.
- Cherchez toujours des conseils professionnels avant de modifier votre régime alimentaire ou de commencer un programme d'exercices.
- JLL Fitness Ltd décline toute responsabilité en cas de blessures ou de dommages pouvant survenir lors de l'assemblage ou de l'utilisation de cet ergomètre.
- En lisant ceci, vous assumez l'entière responsabilité de toute blessure ou modification de votre bien-être physique. Vous renoncez à tous les droits et déchargez JLL Fitness Ltd de toute responsabilité en cas de blessures ou de dommage matériels pouvant survenir en suivant nos conseils.
- Ce manuel propose des instructions spécifiques sur l'assemblage et l'entretien de votre ergomètre. Le non-respect de ces directives pourrait entraîner l'annulation de votre garantie.

DEUTSCHES BENUTZERHANDBUCH

MONTAGEANLEITUNG UND TECHNISCHE UNTERSTÜTZUNG

1. Scannen Sie den QR-Code.
2. Folgen Sie dem Link zu unserem YouTube-Kanal oder unserer Download-Seite.
3. Montieren Sie Ihre Maschine sicher.



FOLGEN SIE UNS IN DEN SOZIALEN MEDIEN!

Erhalten Sie die neuesten Produktinformationen, Schulungsinhalte
und mehr



INHALT



Explosionszeichnung	51
Teilleiste	52

1. SICHERHEITSHINWEISE

Sicherheitsvorkehrungen des Benutzers	53
Benutzer-Sicherheitsvorkehrungen	54
Vor der Verwendung.....	54
Während der Verwendung.....	54
Sicherheitsvorkehrungen beim Training	54
Sicherheitsvorkehrungen für die Einrichtung	55
Warnaufkleber	55

2. MONTAGE

Vorbereitung des Standorts	56
Diagramm	56
Inhaltsverzeichnis	57
Inhalt der Box.....	57
Werkzeugpaket.....	58
Montage des Aqua 1	59

3. BETRIEB

Testen des Ruderbetriebs	61
Füllen des Tanks	61
Einstellen der Pedale	61
Bewegen der Maschine	62
Anpassen des Widerstands	62
Monitor-Konfiguration	63
Monitor-Spezifikationen	63
Funktionen	64
Betriebsverfahren	64
Handbuch	65
Rennen	65
Erholung	65
Spezifikationen	66

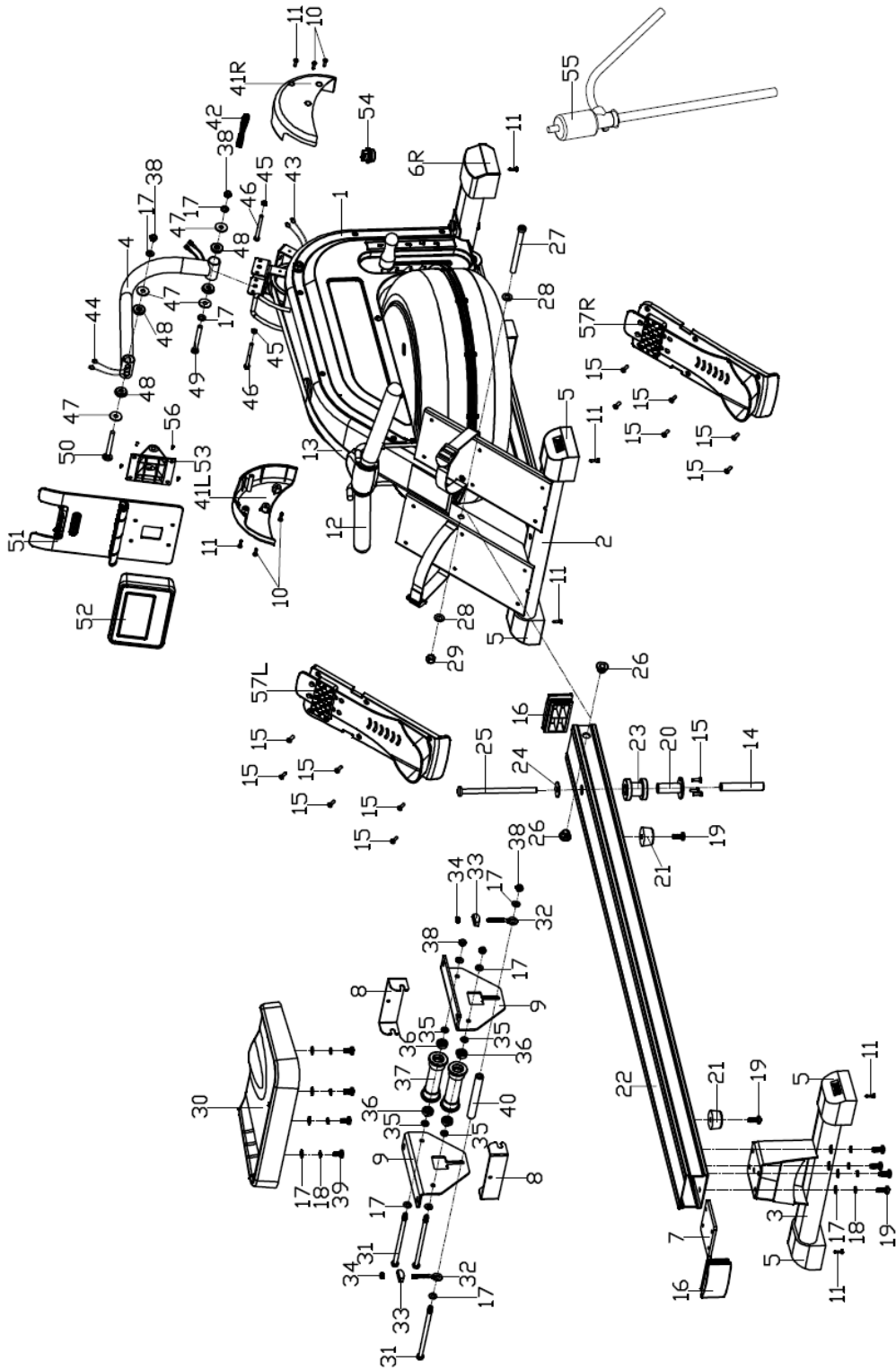
4. WARTUNG

Präventive Wartungsaktivitäten	67
Wasserreinigung	68
Reinigung des Rudergeräts	69
3 einfache Schritte zur Reinigung Ihres Rudergeräts.....	69

5. ZUSÄTZLICHE INFORMATIONEN

Kontaktdaten	70
Haftungsausschluss	70

EXPLOSIONSZEICHNUNG



TEILELISTE

NO.	Beschreibung	QTY	NO.	Beschreibung	QTY
1	Hauptrahmenkombination	1	30	Sattel	1
2	Sockelkombination	1	31	Sechskantschraube M8x145	3
3	Hinterer Stabilisator Kombination	1	32	Einstellbare Schraube	2
4	Schwenkrohr Kombination	1	33	U-förmige Unterlegscheibe	2
5	Endkappe des hinteren Stabilisators	4	34	Nylonmutter M6	2
6 L/R	Frontkappe	Pr1	35	Buchse der Schienenräder	4
7	Brett	1	36	Lager	4
8	U-Abdeckplatte	2	37	Schienenrolle	2
9	Linker Tragrahmen	2	38	Nylonmutter M8	5
10	Kreuzschlitzschraube M5x10	4	39	Sechskantschraube M8x16	4
11	Kreuzschlitzschraube ST4.2x18	8	40	Buchse	1
12	Lenker	1	41 L/R	Radschutzabdeckung	Pr1
13	Geflecht	1	42	Dichtring	1
14	Buchse	1	43	Sensorleitung	2
15	Kreuzschlitzschraube M5x15	15	44	Verlängerungskabel	2
16	Quadratrohr-Endkappe	2	45	Sechskantmutter M6	2
17	Unterlegscheibe D8x1.5	17	46	Sechskantschraube M6x65	2
18	Federring D8	8	47	Polster 1	4
19	Sechskantschraube M8x20	6	48	Legierungsbuchse	4
20	Registrierungsmast	1	49	Sechskantschraube M8x70	1
21	Polster	2	50	Quadratschraube M8x74	1
22	Führungsschiene	1	51	iPad-Halterung	1
23	Verstärkungsstütze	1	52	Anzeige	1
24	Unterlegscheibe D10xD23x2	1	53	Feste Basis	1
25	Sechskantschraube M10x165	1	54	Lochstopfen	1
26	Legierungsbuchse	2	55	Kunststoffpumpe	1
27	Innensechskantschrauben M10x125	1	56	Kreuzschlitzschraube	4
28	Unterlegscheibe D10x2	2	57 L/R	Paddelkombination	Pr1
29	Nylonmutter M10	1			

1 SICHERHEITSHINWEISE

Bitte beachten Sie die folgenden Anweisungen, bevor Sie dieses Rudergerät verwenden.

SICHERHEITSVORKEHRUNGEN DES BENUTZERS

Vielen Dank, dass Sie unser Produkt gewählt haben. Um Ihre Gesundheit und Sicherheit zu gewährleisten, verwenden Sie dieses Gerät bitte wie empfohlen. Es ist wichtig, diese gesamte Anleitung vor dem Zusammenbau und der Verwendung des Geräts zu lesen. Eine sichere und effektive Nutzung ist nur dann möglich, wenn das Gerät gemäß der Anleitung zusammengebaut, gewartet und verwendet wird. Es liegt in Ihrer Verantwortung sicherzustellen, dass alle Benutzer des Geräts über alle Warnhinweise und Vorsichtsmaßnahmen informiert sind.

1. Bevor Sie mit einem Übungsprogramm beginnen, sollten Sie einen Gesundheitsfachmann konsultieren, um festzustellen, ob Sie medizinische oder physische Erkrankungen haben, die Ihre Gesundheit und Sicherheit gefährden oder Sie daran hindern könnten, das Gerät ordnungsgemäß zu verwenden. Der Rat eines Gesundheitsfachmanns ist unerlässlich, wenn Sie Medikamente einnehmen, die Ihre Herzfrequenz, Blutdruck oder Cholesterinspiegel beeinflussen.
2. Beachten Sie die Signale Ihres Körpers. Falsche oder übermäßige Bewegung kann Ihrer Gesundheit schaden. Beenden Sie das Training, wenn Sie eines der folgenden Symptome verspüren: Schmerzen, Enge in der Brust, unregelmäßiger Herzschlag, Schwindel, Benommenheit oder Übelkeitsgefühle. Wenn Sie eines dieser Symptome verspüren, sollten Sie sich vor Fortsetzung Ihres Übungsprogramms an einen Gesundheitsfachmann wenden.
3. Halten Sie Kinder und Haustiere vom Gerät fern. Das Gerät ist nur für den Gebrauch durch Erwachsene vorgesehen.
4. Verwenden Sie das Gerät auf einer festen, flachen Oberfläche mit einer Schutzabdeckung für Ihren Boden oder Teppich. Zur Gewährleistung der Sicherheit sollte um das Gerät herum mindestens 61 cm freier Raum vorhanden sein.
5. Stellen Sie sicher, dass alle Muttern und Schrauben fest angezogen sind, bevor Sie das Gerät verwenden. Die Sicherheit des Geräts kann nur gewährleistet werden, wenn es regelmäßig auf Beschädigungen und/oder Abnutzungserscheinungen überprüft wird.

6. Verwenden Sie das Gerät immer wie angegeben. Wenn Sie während des Zusammenbaus oder beim Überprüfen des Geräts fehlerhafte Komponenten feststellen oder während des Trainings ungewöhnliche Geräusche hören, stellen Sie die Verwendung des Geräts sofort ein. Bitte kontaktieren Sie JLL Fitness unter 0121 328 7507, um Ratschläge zur Behebung des Problems zu erhalten.
7. Tragen Sie geeignete Kleidung, während Sie das Gerät verwenden. Vermeiden Sie das Tragen lockerer Kleidung, die sich im Gerät verfangen kann.
8. Stecken Sie keine Finger oder Gegenstände in die beweglichen Teile des Geräts.
9. Die maximale Gewichtskapazität dieses Geräts beträgt 120 kg.
10. Um Körperverletzungen und/oder Schäden am Produkt oder Eigentum zu vermeiden, stellen Sie sicher, dass Sie sichere Verfahren zum Anheben und Bewegen des Artikels befolgen.
11. Ihr Produkt ist für den Einsatz in kühlen, trockenen Umgebungen vorgesehen. Sie sollten die Lagerung in extrem kalten, heißen oder feuchten Bereichen vermeiden, da dies zu Korrosion und anderen damit verbundenen Problemen führen kann.
12. Dieses Gerät ist ausschließlich für den Einsatz im Innenbereich im privaten Gebrauch vorgesehen und nicht für den gewerblichen Gebrauch bestimmt.

BENUTZER-SICHERHEITSVORKEHRUNGEN

VOR DER VERWENDUNG

- Montieren Sie den Ruderer gemäß der Bedienungsanleitung.
- Konsultieren Sie vor Beginn eines Trainingsprogramms Ihren Arzt.
- Lesen Sie die Anweisungen.
- Lesen Sie Warnhinweise.
- Lesen Sie die Verfahren für den Notstopp.
- Maximales Benutzergewicht beträgt 150kg / 23.62 St
- Inspeziere Sie das Gerät. Wenn es beschädigt ist, VERWENDEN SIE ES NICHT.
- Stellen Sie sicher, dass alle Schrauben und Muttern fest angezogen sind.

WÄHREND DER VERWENDUNG

- NICHT zum Dehnen verwenden und KEINE Riemen oder andere Geräte anbringen.
- Lassen Sie Kinder im Alter von 12 Jahren oder jünger NICHT auf oder in der Nähe des Geräts.
- Beenden Sie das Training, wenn Sie sich benommen fühlen, Schwindel verspüren oder Schmerzen haben.
- Halten Sie alle Kleidung und Accessoires fern von beweglichen Teilen.

SICHERHEITSVORKEHRUNGEN BEIM TRAINING

- Tragen Sie Sportkleidung und Turnschuhe.
 - Dieses Modell ist ausschließlich für den Heimgebrauch vorgesehen, NICHT für kommerzielle Zwecke verwenden.
-



- BETREIBEN Sie diese Maschine NICHT an feuchten oder nassen Orten.
- Seien Sie vorsichtig beim Aufsteigen und Absteigen von der Rudermaschine.
- Überprüfen Sie die Ruder-Maschine auf abgenutzte oder lockere Teile vor jeder Verwendung. VERWENDEN Sie die Maschine NICHT, bis verschlissene oder beschädigte Teile ausgetauscht wurden.
- Warten Sie die Maschine regelmäßig. Siehe Kapitel zur vorbeugenden Wartung.
- VERWENDEN Sie die Rudermaschine NICHT, wenn: (1) die Maschine nicht ordnungsgemäß funktioniert oder (2) die Rudermaschine fallen gelassen oder beschädigt wurde.
- VERWENDEN Sie die Rudermaschine NICHT im Freien.
- Lesen Sie die Bedienungsanleitung vollständig, bevor Sie den Rudergerät verwenden.
- Stellen Sie sicher, dass alle Benutzer geeignetes Schuhwerk auf JLL®-Geräten tragen.
- Richten Sie das Rudergerät auf einer ebenen Fläche ein und betreiben Sie es. BETREIBEN Sie es NICHT an kleinen, eingeschränkten Orten oder auf flauschigem Teppich.
- Stellen Sie, wenn möglich, die folgenden Freiräume zur Verfügung: 0,5 m auf jeder Seite und 2 m hinten. Achten Sie darauf, dass Ihre Maschine von Wänden, Geräten und anderen harten Oberflächen frei ist.
- ÄNDERN Sie das Gerät NICHT auf irgendeine Weise. Jede Änderung führt zum Verlust der Garantie.
- Alle auf dem Monitor angezeigten Daten dienen nur zu Referenzzwecken.

WARNAUFKLEBER

Warnaufkleber weisen auf eine potenziell gefährliche Situation hin, die, wenn sie nicht vermieden wird, zu Tod oder schweren Verletzungen führen könnte. Lesen Sie die folgenden Vorsichts- und Warnhinweise sorgfältig durch, bevor Sie das Gerät verwenden.

WARNUNG

Berühren Sie während des Gebrauchs KEINE beweglichen Teile.

Kinder und Haustiere müssen jederzeit von der Maschine ferngehalten werden.

Angemessene Kleidung MUSS während des Trainings getragen werden.

Bitte konsultieren Sie einen Arzt oder Gesundheitsfachmann, bevor Sie ein Trainings- oder Gesundheitsprogramm beginnen.

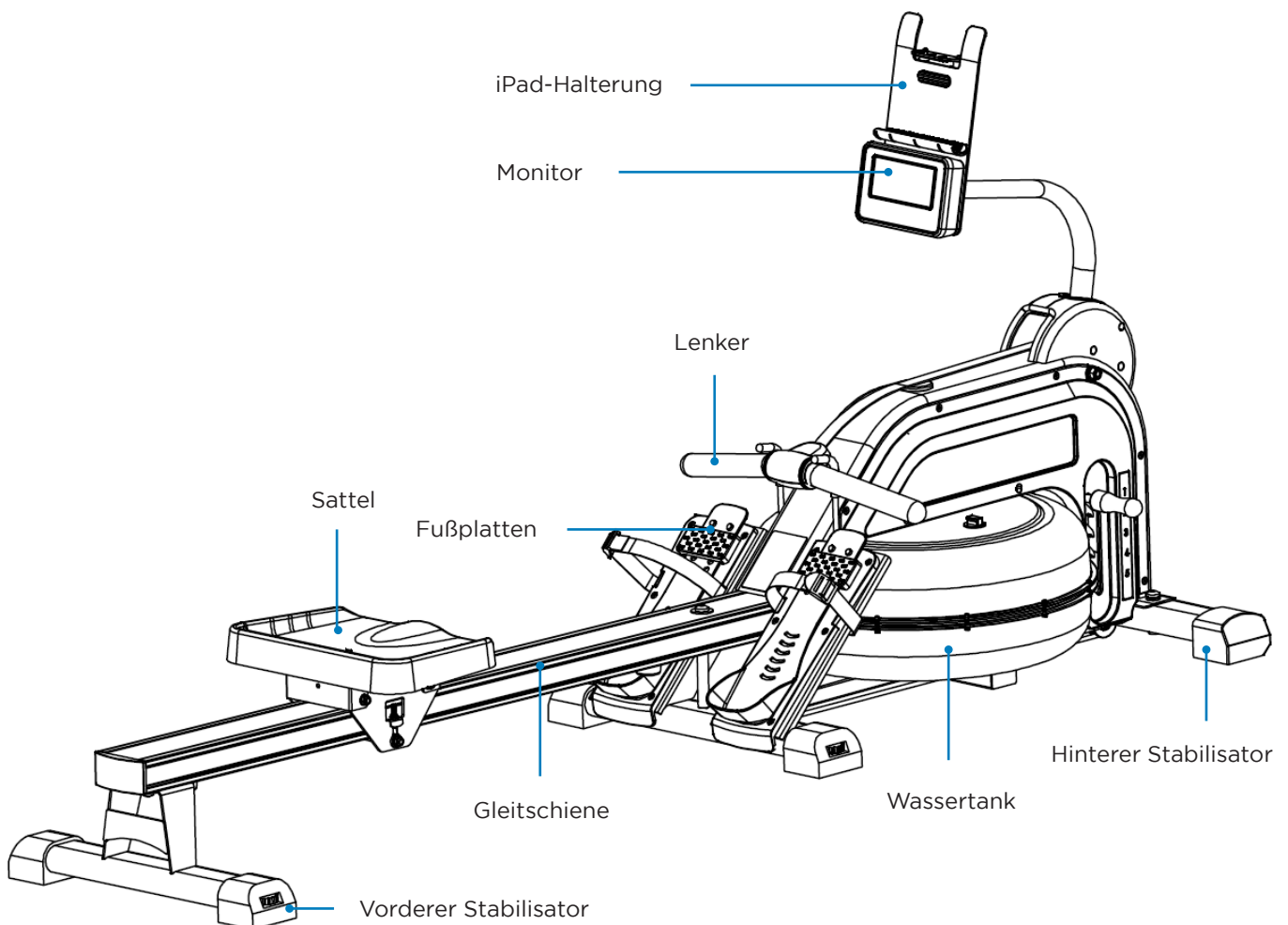
2 MONTAGE

SITEVORBEREITUNG

Um den idealen Standort für dieses Rudergerät zu finden, stellen Sie sicher, dass:

- Der Bereich gut beleuchtet und gut belüftet ist.
- Die Oberfläche eben ist.
- Genügend Platz vorhanden ist, um auf das Gerät zuzugreifen und im Notfall abzusteigen. Wenn möglich, halten Sie die folgenden Abstände ein: 0,5 m auf jeder Seite und 2 m hinten.
- Das Rudergerät in einer Umgebung mit einer relativen Luftfeuchtigkeit von 30-50% aufgestellt ist. Stellen Sie sicher, dass die Temperatur konstant gehalten wird. Verwenden Sie es nicht in einer feuchten oder nassen Umgebung, da dies die Integrität und Leistung des Geräts beeinträchtigen kann.

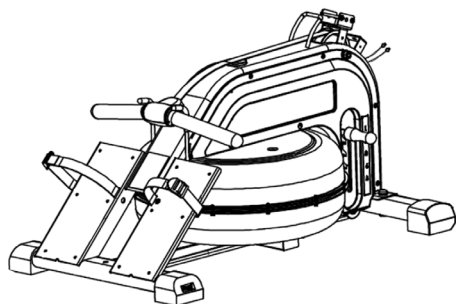
DIAGRAMM



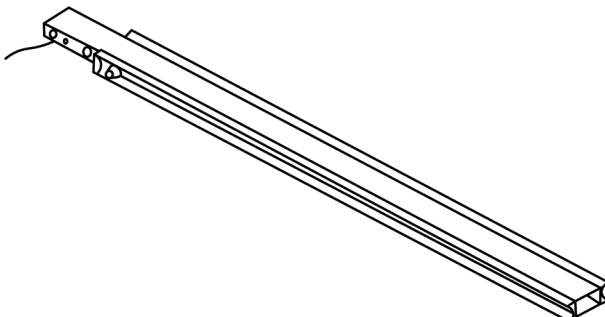


Siehe Diagramm (vorherige Seite) und Inhaltsverzeichnis (unten) für den Inhalt der Ruderbox. Siehe das Kapitel Kundenservice für Kontaktinformationen, falls Teile fehlen.

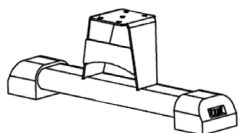
INHALT DER BOX



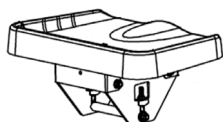
Rudergerät-Hauptbasis



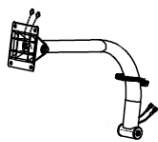
Gleitschiene



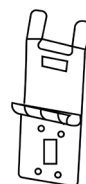
Vorderer Stabilisator



Sattel



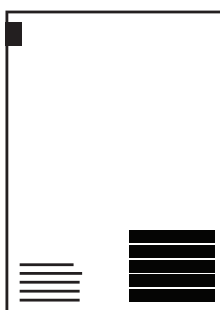
Monitorarm



iPad-Halterung



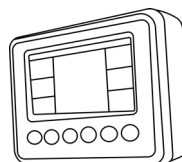
Schutzabdeckungen



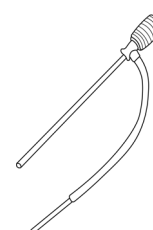
Handbuch



Werkzeugpaket



Monitor



Pumpe

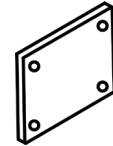
WERKZEUGSATZ



Kreuzschlitzschraube
M5X10
x4



Kreuzschlitzschraube
ST4.2X18
x2



Mutterscheibe
x1



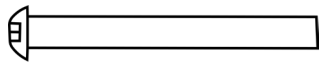
M8x20
Sechskantschraube
x4



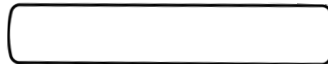
Federring
x4



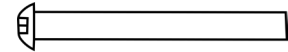
Unterlegscheibe
x4



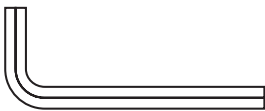
M10x165 Sechskantschraube
x1



Legierungsbuchse
x1



M10x125 Innensechskantschraube
x1



7mm Innensechskantschlüssel
x1



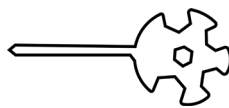
Wasserreinigungstabletten
x1



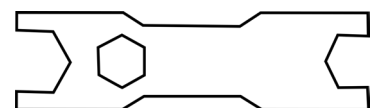
Kleiner Sechskantschlüssel
x2



9mm Innensechskantschlüssel
x1



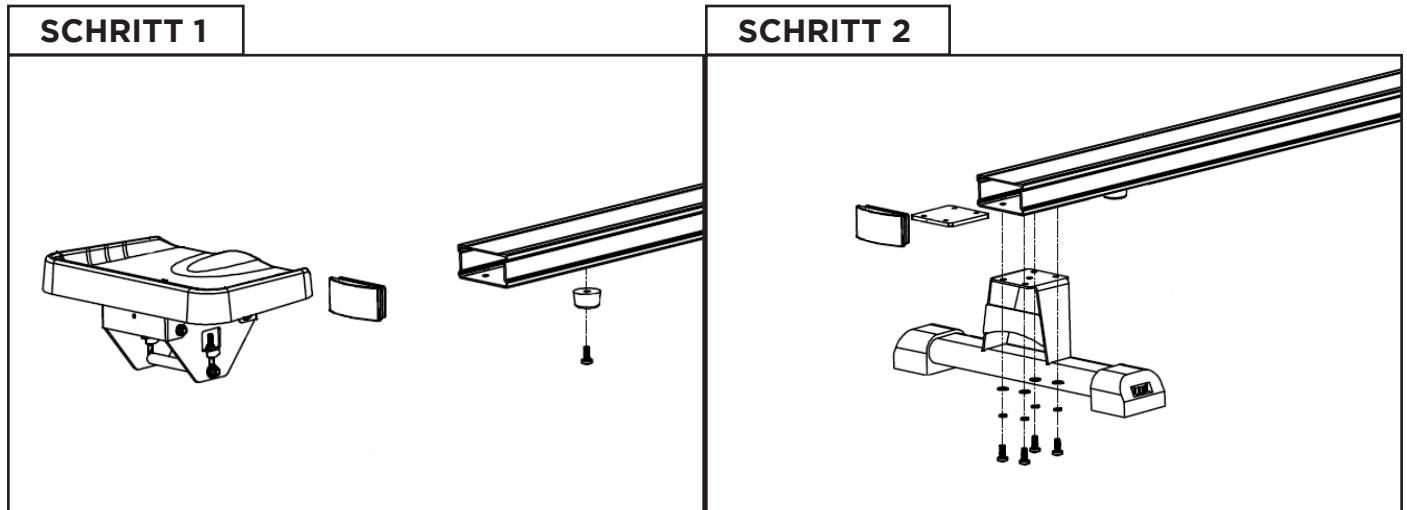
Multifunktionswerkzeug
x1



Großer Sechskantschlüssel
x1

Das Rudergerät wurde in der Fabrik montiert und getestet, daher sollten Sie keine Probleme haben, alle Teile zusammenzufügen. Die Komponenten sind so konzipiert, dass sie perfekt zusammenpassen, und für den Montageprozess sind nur grundlegende Werkzeuge erforderlich. In der Verpackung finden Sie ein Werkzeugpaket (Inbusschlüssel, Schraubenschlüssel, Unterlegscheiben und Schrauben). Siehe vorherige Seite.

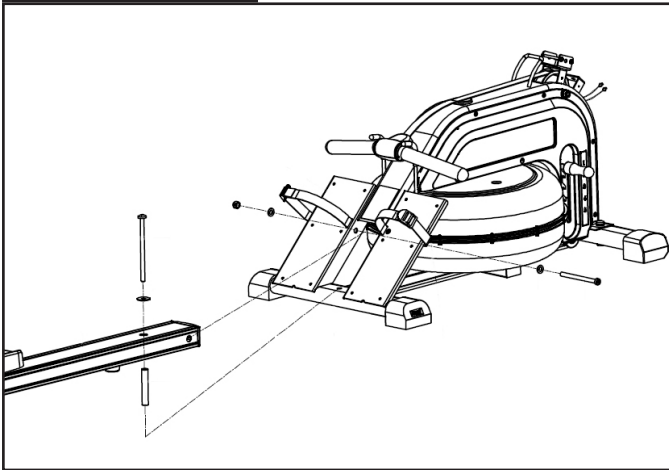
Um Ihr JLL AQUA 1 zusammenzubauen, folgen Sie bitte diesen einfachen Schritten:



Entfernen Sie das Gummikissen und die Endkappe von der Gleitschiene, befestigen Sie den Sattel und sichern Sie das Gummikissen wieder.

Setzen Sie die Mutterscheibe in die Gleitschiene ein und richten Sie die Löcher aus. Befestigen Sie den Stabilisator an der Gleitschiene mit vier Schrauben und Unterlegscheiben. Bringen Sie dann die Endkappe wieder an.

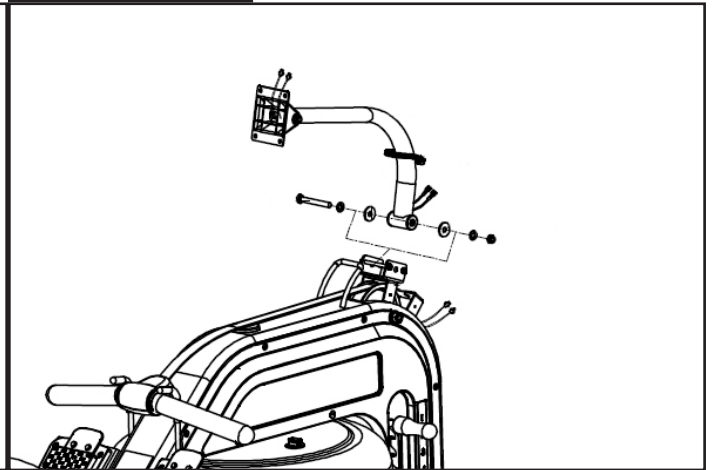
SCHRITT 3



Befestigen Sie die Gleitschiene an der Hauptbasis mit einem großen Sechskantschraube, einer flachen Unterlegscheibe und einer Nylonmutter. (Hinter den Fußplatten)

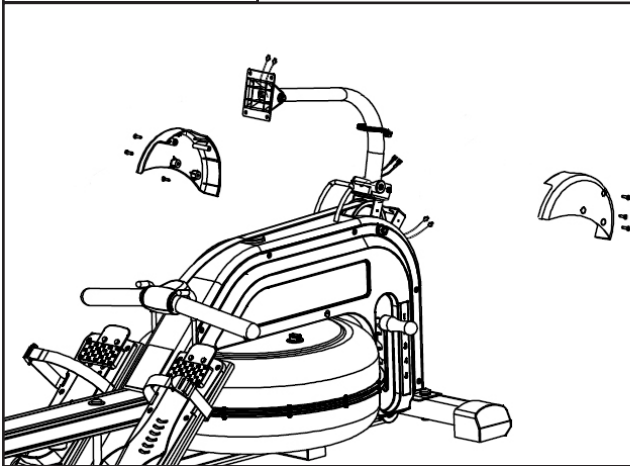
Sichern Sie sie dann mit einer großen Innensechskantschraube, einer flachen Unterlegscheibe und einer Buchse durch die Oberseite der Gleitschiene.

SCHRITT 4



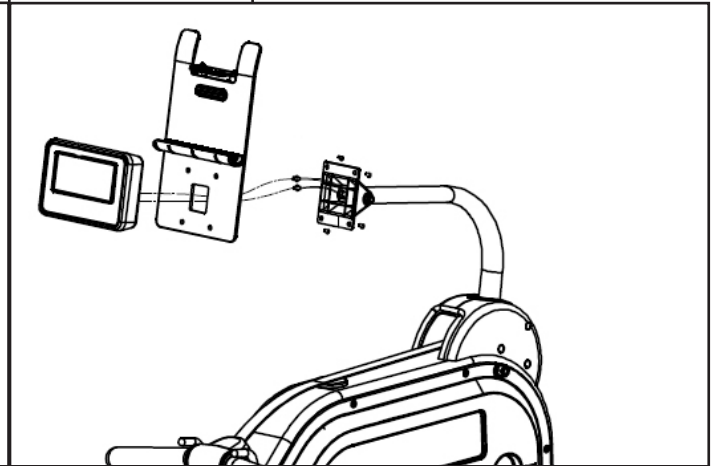
Befestigen Sie den Monitorarm an der Hauptbasis mit einem Sechskantschraube, flachen Unterlegscheiben und einer Nylonmutter. Verbinden Sie dann die Sensorkabel von der Basis mit dem Monitorarm.

SCHRITT 5



Fügen Sie als nächstes die Schutzabdeckungen um den Arm herum hinzu und stellen Sie sicher, dass sie in die Dichtungsringe passen. Verwenden Sie drei Schrauben auf jeder Seite.

SCHRITT 6



Entfernen Sie abschließend die Schrauben auf der Rückseite des Monitors und führen Sie die Kabel vom Monitor durch den iPad-Ständer. Verbinden Sie die Kabel mit den Kabeln am Arm. Befestigen Sie dann den Monitor und den Ständer am Arm mit den zuvor entfernten Schrauben.

3 BETRIEB



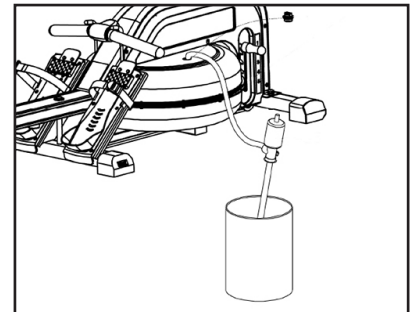
TESTEN DER RUDERBETRIEB

Verwenden Sie die folgenden Anweisungen, um den gesamten Widerstand des Rudergärts zu testen und das Kabel auf ordnungsgemäßen Betrieb zu überprüfen.

1. Setzen Sie sich auf die Maschine und stellen Sie Ihre FüÙe auf die Fußplatten. Führen Sie einige Ruderezüge sanft aus.
2. Überprüfen Sie den Monitor, um sicherzustellen, dass die Ziffern sich ändern.
3. Ziehen Sie den elastischen Widerstandsgriff an der Rückseite der Basis nach unten und überprüfen Sie, ob Sie eine Veränderung in der Schwierigkeit des Widerstands spüren.
4. Achten Sie darauf, dass der Gurt sich bei jedem Ruderzug vollständig in die Basis zurückzieht und nicht schlaff ist.
5. Stellen Sie außerdem sicher, dass keine ungewöhnlichen Geräusche von der Maschine kommen und dass während Ihres Trainings kein Wackeln auftritt.

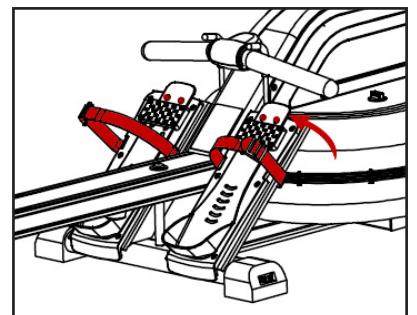
FÜLLEN DES TANKS

Entfernen Sie den Lochstopfen oben auf dem Tank. Setzen Sie das flexible Ende der Pumpe in die Öffnung ein und das starre Ende in einen Wasserbehälter. Drücken Sie die Pumpe, um Wasser zu filtern und den Tank bis zur Füllstandsanzeige zu füllen.



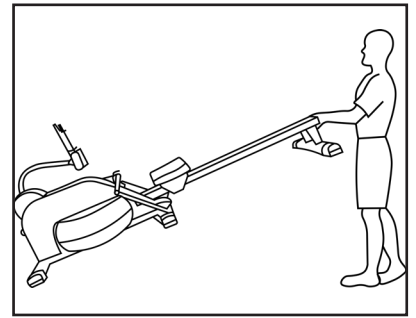
EINSTELLEN DER PEDALE

Die Länge des Pedaltritts kann an die Größe des Benutzers angepasst werden. Heben Sie die Oberlippe an, bis sie sich aus den beiden erhöhten Pfropfen löst, und schieben Sie sie dann auf die gewünschte Länge. Zum Festziehen ziehen Sie am Ende des Pedalriemens.



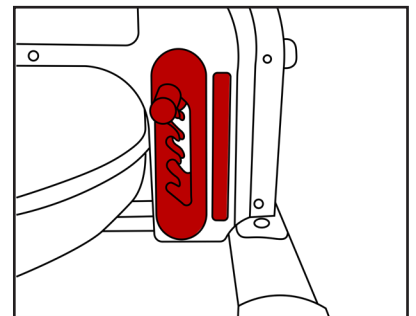
DIE MASCHINE BEWEGEN

Um die Maschine zu bewegen, heben Sie den Stabilisator an, bis die Transportrollen am gegenüberliegenden Stabilisator den Boden berühren. Sobald die Räder den Boden berühren, können Sie den Ruderggerät mühelos an den gewünschten Ort transportieren.



ANPASSEN DES WIDERSTANDS

Um den elastischen Widerstand einzustellen, greifen Sie die Griffe auf beiden Seiten der Maschine und setzen Sie sie entweder nach oben oder unten in die Haken ein. Stellen Sie sicher, dass Sie beide Seiten gleichzeitig bewegen.





1	LCD-Anzeige	2	Erholungstaste
3	Zurücksetzen-Taste	4	Start/Stopp-Taste
5	Eingabetaste	6	Runter-Taste
7	Hoch-Taste		

MONITOR-SPEZIFIKATIONEN

Zeit.....	00:00 - 99:59 MIN:SEC
Zeit 500M.....	00:00 - 99:59 MIN:SEC
Schlag.....	0 - 9999
Kalorien.....	0.0 - 999.9
Distanz.....	0.0 - 999.9
Schläge pro Minute.....	0 - 9999
Gesamtanzahl der Schläg.....	0 - 9999
Puls.....	0 - 240
Temperatur.....	0°C
Kalender.....	..year, month, day
Uhr.....	..00:00

FUNKTIONEN

ZEIT: Zählt die Dauer Ihres Trainings.

ZEIT 500M: Berechnet Ihre durchschnittliche 500-Meter-Zeit. Teilt sich das gleiche Segment wie die Zeit.

SCHLÄGE: Zählt die während Ihres Trainings absolvierten Schläge.

KALORIEN: Zählt die geschätzten verbrannten Kalorien während des Trainings.

SCHLÄGE PRO MINUTE: Zeigt die durchschnittlichen Schläge pro Minute an.

DISTANZ: Zeigt die während Ihres Trainings zurückgelegte Strecke in Metern an.

PULS: Zeigt Ihre aktuelle Herzfrequenz während des Trainings an. Die Pulsmessung funktioniert nur mit einem Brustgurtsystem.

KALENDER: Der Monitor zeigt Jahr, Monat und Tag an, wenn der Monitor im Ruhezustand ist.

TEMPERATUR: Der Monitor zeigt die aktuelle Raumtemperatur an, wenn der Monitor im Ruhezustand ist.

UHR: Der Monitor zeigt die aktuelle Uhrzeit an, wenn er im Ruhezustand ist.

BETRIEBSVERFAHREN

Auto An/Aus: Der Monitor schaltet sich ein, wenn Sie mit dem Rudern beginnen oder eine Taste drücken. Der Monitor schaltet sich nach 4 Minuten Inaktivität aus.

Wenn der Monitor eingeschaltet wird, zeigt das LCD-Display alle Segmente für 1 Sekunde an.

Zuerst müssen Sie das Jahr (im Abschnitt Schläge), den Monat (im Abschnitt Kalorien) und den Tag (im Abschnitt Puls) eingeben. Nachdem Sie dies bestätigt haben, ertönt der Alarm. Drücken Sie die UP-Taste, um das EIN/AUS des Alarms einzustellen. Wenn das Alarmsymbol nicht angezeigt wird, drücken Sie ENTER. Wenn die Alarmanzeige eingeschaltet ist, können Sie die Alarmzeit einstellen (auf die gleiche Weise, wie Sie das Datum einstellen). Drücken Sie dann ENTER, damit das Sportsymbol in der oberen linken Ecke angezeigt wird. MANUAL und RACE blinken und sind zur Auswahl bereit. Drücken Sie UP oder DOWN, um eines auszuwählen, und drücken Sie dann ENTER, um zu bestätigen.



Sobald Sie in den manuellen Modus gewechselt sind, drücken Sie die UP-Taste, um die Zeit einzustellen. Diese wird blinken. Sobald Sie Ihre Zielzeit eingestellt haben, drücken Sie ENTER, um zu bestätigen. DISTANZ - SCHLÄGE - KALORIEN - PULS - ZEIT können alle auf ein spezifisches Ziel eingestellt werden, jedoch können mehrere Funktionen während eines Workouts nicht gleichzeitig eingestellt werden (z.B. wenn eine Zielzeit eingestellt wurde, kann keine Zieldistanz eingestellt werden).

Drücken Sie die START/STOP-Taste, um zu beginnen. Das STOP-Symbol wird verschwinden und Sie können UP oder DOWN drücken, um Funktionen auszuwählen. Wenn die spezifische Funktion auf null heruntergezählt hat oder Sie die START/STOP-Taste gedrückt haben, stoppt der Monitor und zeigt den Durchschnittswert an.

RENNEN

Sobald Sie den RACE-Modus mit den vorherigen Schritten aktiviert haben, wird L1 blinken und die ZEIT 500M kann mit 8:00 angezeigt werden. Verwenden Sie die UP- oder DOWN-Tasten, um L1-L15 auszuwählen, und drücken Sie ENTER, um zu bestätigen. Danach können Sie die Distanz des Rennens einstellen (500m - 10000m), der Distanzabschnitt sollte blinken. Drücken Sie ENTER und das Bild des Rennens wird im mittleren Segment angezeigt. Die Werte der ZEIT 500M sind:

L1 - 8:00	L4 - 6:30	L7 - 5:00	L10 - 3:30	L13 - 2:00
L2 - 7:30	L5 - 6:00	L8 - 4:30	L11 - 3:00	L14 - 1:30
L3 - 7:00	L6 - 5:30	L9 - 4:00	L12 - 2:30	L15 - 1:00

Drücken Sie die START/STOP-Taste und das STOP-Symbol wird verschwinden. Das Rennausgangsbild des Monitors und Sie selbst werden in der Mitte angezeigt, der Monitor stoppt, wenn Sie die Zieldistanz des Rennens erreicht haben. PC GEWINNT oder BENUTZER GEWINNT wird angezeigt. Wenn das Rennen abgeschlossen ist, können Sie START/STOP drücken, um das Rennen erneut zu starten.

ERHOLUNG

Nach einer gewissen Trainingszeit, wenn Sie einen Brustgurt tragen, drücken Sie ERHOLUNG. Alle Funktionen stoppen außer der Zeit, die dann von 60 Sekunden herunterzählt. Der Bildschirm zeigt dann Ihren Herzfrequenz-Erholungsstatus mit F1-F6 an, wobei F1 der beste und F6 der schlechteste ist. Drücken Sie erneut die ERHOLUNG-Taste, um zur Hauptanzeige zurückzukehren.

SPEZIFIKATIONEN

Anzeige	LCD-Monitor: Zeit, Zeit 500M, Kalorien, Distanz, Schläge, Schläge pro Minute (SPM), Puls, Gesamtzahl der Schläge, Datum, Uhr, Kalender und Temperatur
Stauraum	Eingebaute Räder.
Widerstand	Doppelte Wasser- und elastische Widerstandsfunktion, 5 Stufen des elastischen Widerstands.
Batterie	2 x AA Batterien.
Sattel	Schaumstoffgefüllter Sitz mit freier Bewegung auf der Gleitschiene.
Pedale	Breite Plattformpedale mit verstellbaren Riemen.
Lenker	Ergonomischer Lenker.
Farbe	Schwarz.
Länge der Gleitschiene	93cm
Maximales Benutzerge- wicht	150 kg, 23.62 St or 330 lb.
Benötigte Fläche	211 cm (Länge) x 55 cm (Breite) x 100 cm (Höhe)
Verpackungsmaße	Schachtel 1: 103.5 cm x 57 cm x 57 cm Schachtel 2: 141.5 cm x 11.5 cm x 8 cm
Bruttogewicht	Schachtel 1: 38kg Schachtel 2: 3.6kg
Nettogewicht	Schachtel 1: 32.4kg Schachtel 2: 3.2kg

4 WARTUNG



Es muss regelmäßig Wartung durchgeführt werden. Die Durchführung von Wartungsmaßnahmen kann dazu beitragen, einen sicheren und störungsfreien Betrieb aller JLL®-Geräte zu gewährleisten.

JLL® ist nicht für die regelmäßige Inspektion und Wartung Ihres Geräts verantwortlich. Vertreter von JLL® stehen zur Verfügung, um alle Fragen zu beantworten, die Sie unter +44 (0)121 328 7507 haben könnten.

VORBEUGENDE WARTUNGSMASSNAHMEN

Die Pflege des Rudergeräts in einem sauberen Zustand wird dazu beitragen, seine Lebensdauer zu verlängern. Führen Sie regelmäßige vorbeugende Wartungsarbeiten durch, um den normalen Betrieb des Geräts sicherzustellen. Führen Sie ein Protokoll aller Wartungsmaßnahmen, um aktuell über alle vorbeugenden Wartungsaktivitäten informiert zu bleiben. JLL® ist nicht für regelmäßige Inspektionen oder Wartungsarbeiten verantwortlich.

Lesen Sie alle Anweisungen und Warnungen, die sowohl in diesem Kapitel als auch im Sicherheitskapitel aufgeführt sind. Kontaktieren Sie den JLL® Kundenservice unter +44 (0)121 328 7507 bei Fragen zu Wartung oder Service.

Anforderungen:

- Wasser
- Trockenes Tuch
- Staubsauger
- Schmieröl

WARNUNG

1. Verwenden Sie ausschließlich Wasser zum Reinigen und Entstauben. Verwenden Sie keine Reinigungsprodukte, da sie das Rudergerät beschädigen können.
2. Achten Sie darauf, kein Wasser zu verschütten oder übermäßige Feuchtigkeit zwischen den Rand des Displaypanels zu bekommen, da dies eine elektrische Gefahr darstellen oder einen Ausfall der Elektronik verursachen könnte.
3. Direktes Sprühen könnte zu Schäden an der Elektronik führen und die Garantie ungültig machen.

Abhängig davon, wo das Rudergerät aufgestellt ist, kann es zu trockener Luft kommen, was zu einem häufigen Erlebnis von statischer Elektrizität führen kann. Dies kann beispielsweise durch das Laufen über einen Teppich und anschließendes Berühren eines metallischen Objekts bemerkt werden. Auf Ihrem Rudergerät können Sie einen Schock erleben, der durch die Ansammlung von statischer Elektrizität auf Ihrem Körper und dem Ableitungspfad des Rudergeräts verursacht wird. Falls Sie eine solche Situation erleben, können Sie die Luftfeuchtigkeit durch die Verwendung eines Luftbefeuchters auf ein angenehmes Niveau erhöhen.

Überprüfen Sie Ihr Gerät regelmäßig auf Rost. Wenn Rost an den Schrauben auftritt, bedeutet dies, dass das Gerät nicht in der richtigen Umgebung untergebracht ist und in einen geeigneteren Raum verschoben werden sollte. Jeglicher Rost deutet darauf hin, dass möglicherweise Feuchtigkeit in der Luft vorhanden ist und dies die Integrität und Leistung Ihres Geräts beeinträchtigen könnte.

⚠️ WARNUNG

1. Verwenden Sie ausschließlich Ersatzteile von JLL®.
2. Halten Sie Wasser und Flüssigkeiten von elektrischen Teilen fern.
3. Wenn Sie Ihr Gerät rosten lassen, hat dies Auswirkungen auf Ihre Garantie.

WASSERREINIGUNG

Mit Ihrer neuen Maschine erhalten Sie auch eine Flasche Wasserreinigungstabletten. Jedes Mal, wenn Sie den Tank nachfüllen, muss eine dieser Tabletten hinzugefügt werden. Verwenden Sie die mitgelieferte Siphonpumpe, um den Tank zu entleeren und nachzufüllen.

Es wird empfohlen, den Tank alle 6 Monate oder wenn das Wasser trüb wird, mit sauberem Wasser nachzufüllen.

*Bitte waschen Sie Ihre Hände nach dem Umgang mit den Tabletten und bringen Sie diese nicht in die Nähe Ihrer Augen oder Ihres Mundes.

Halten Sie die Gleitschiene frei von Staub und Schmutz, um einen reibungslosen Betrieb zu gewährleisten und Verletzungen vorzubeugen. Schmutz kann die Rollen unter dem Sattel beschädigen.

Nach jedem Training verwenden Sie ein sauberes, trockenes Tuch, um das Gerät und die Griffstangen zu reinigen, um Korrosion zu verhindern. Wischen Sie Schweißspuren ab, die möglicherweise abgetropft sind. Vermeiden Sie es, das Display mit einem weichen Tuch zu zerkratzen.

Verwenden Sie keine scheuernden oder chemischen Reinigungsmittel.

3 EINFACHE SCHRITTE ZUR REINIGUNG IHRES RUDERGERÄTS

Empfehlungen (diese dienen nur als Richtlinie):

- Verwenden Sie ein sauberes Tuch, um das gesamte Gerät abzuwischen.
- Staubsaugen oder kehren Sie den Boden unter und um das Rudergerät herum, um zu verhindern, dass Staub in das Gerät gelangt. Eine Laufbandmatte kann helfen, Staub zu reduzieren.
- Verwenden Sie einen Staubsauger oder ein weiches feuchtes Tuch, um den gesamten Bereich des Geräts abzudecken. Wenn das Produkt über einen längeren Zeitraum nicht verwendet wird, sollte es zusammengeklappt und an einem geeigneten Ort aufbewahrt werden.

5 ZUSÄTZLICHE INFORMATIONEN

KONTAKTDATEN

Für den Fall, dass Probleme auftreten, zögern Sie bitte nicht, unser Kundenserviceteam unter +44 (0)121 328 7507 zu kontaktieren oder senden Sie uns eine E-Mail an CONTACT@JLLFITNESS.CO.UK.

Sie können auch unser Support-Center unter SUPPORT.JLLFITNESS.CO.UK für Wartungs- und Montageartikel sowie Videos besuchen.

HAFTUNGSAUSSCHLUSS

- Konsultieren Sie unbedingt Ihren Arzt oder einen anderen Gesundheitsdienstleister, bevor Sie mit einem unserer Trainingsleitfäden beginnen oder daran teilnehmen. Es liegt in Ihrer Verantwortung, Ihre eigene Gesundheit zu bewerten, bevor Sie an körperlichen Aktivitäten teilnehmen oder solche durchführen, die mit JLL Fitness Ltd in Verbindung stehen.
- Suchen Sie immer professionellen Rat, bevor Sie Ihre Ernährung ändern oder ein Trainingsprogramm beginnen.
- JLL Fitness Ltd haftet nicht für Verletzungen oder Schäden, die beim Zusammenbau oder Gebrauch dieses Rudergeräts auftreten können.
- Durch das Lesen dieses Textes übernehmen Sie die volle Verantwortung für etwaige Verletzungen oder Veränderungen Ihres körperlichen Wohlbefindens. Sie verzichten auf alle Rechte und entbinden JLL Fitness Ltd von jeglicher Schuld für Verletzungen oder Sachschäden, die beim Befolgen unserer Ratschläge auftreten können.
- Dieses Handbuch enthält spezifische Anweisungen zur Montage und Pflege Ihres Rudergeräts. Das Nichtbefolgen dieser Anweisungen kann dazu führen, dass Ihre Garantie ungültig wird.

WWW.JLLFITNESS.CO.UK

Follow us on Facebook and Twitter [@JLLFitness](#)

© JLL Fitness Ltd . All Rights Reserved.